

REV.	ECN NO.	DATE	SIGN	DESCRIPTION
B	LEN-8A0114	2008/09/15	Shin	Add Notes
C	LEN15A0354	2015/10/15	Jinhai	Change Logo
D	CI90268	2019/02/19	Ruru	Modify Note

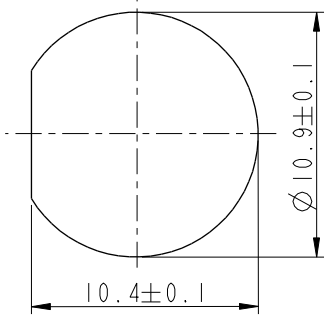
E

D

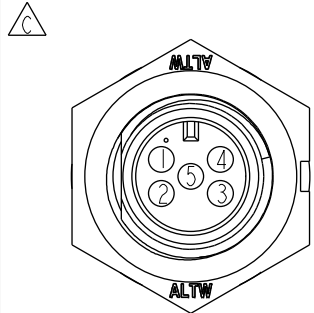
C

B

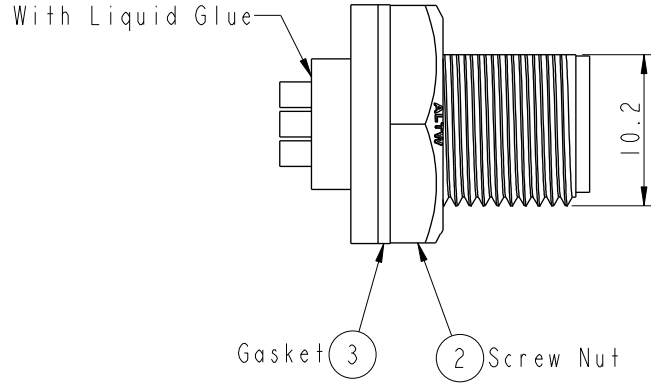
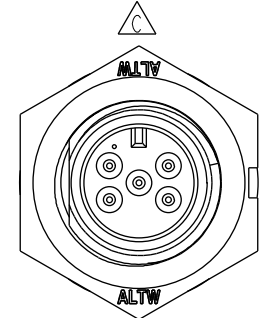
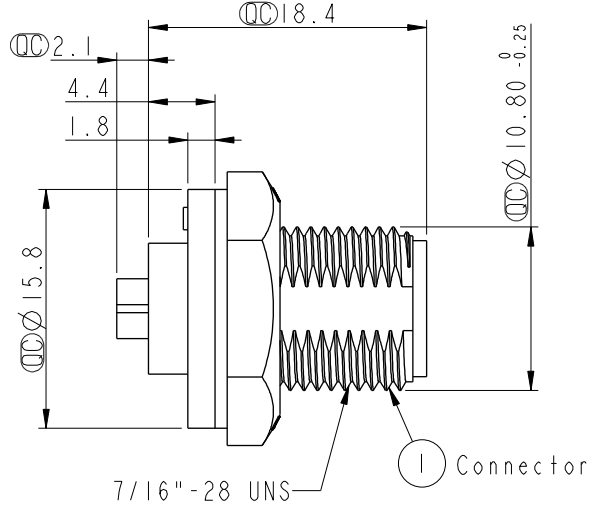
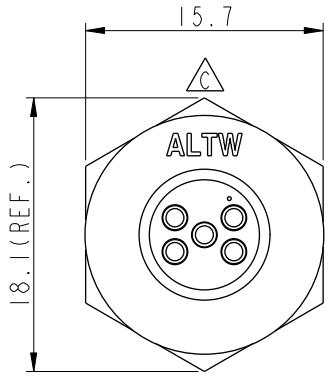
A



Recommended Panel Cut-Out



Pin Assignments Front View



- Note: \triangle
- * CC Important Dimension.
 - * Waterproof Rate: IP67, Unmated
 - * Housing: Thermoplastic, Black
 - * Pin: Copper Alloy, Gold Plated
 - * Nut: Thermoplastic, Black
 - * Gasket: Rubber, Black
 - $\triangle B$ * Use with waterproof cap or dust cap
Panel Thickness max: 4.0mm
 - $\triangle A$ * Use without waterproof cap or dust cap
Panel Thickness max: 5.0mm
 - * Gasket and Nut are packed separately in PE bags.

THIS DOCUMENT IS SUBJECT TO CHANGE WITHOUT NOTICE. IT IS CONFIDENTIAL AND A PROPERTY OF AMPHENOL LTW. DISCLOSURE TO THIRD PARTY HAS TO BE AUTHORIZED BY AMPHENOL LTW.

UNIT:mm	
TOLERANCE	
.X	±0.25
.XX	±0.1
.XXX	±0.05
ANGLES	±1°

TITLE Mini Screw Type 5Pin M Conn M Pin			
SCALE 2:1	SIZE A4	SHEET 1 OF 1	
REV. D	WC-REV. A.2	CC : Inspection item	

Amphenol LTW
安費諾亮泰企業股份有限公司

ITEM NO AU-05PMMS-SC7001	DRAWN BY Ruru	DATE 2019-02-19
DWG NO AU-05PMMS-SC7001	CHECKED BY Rita	DATE 2019-02-19
CUSTOMER ALTW	APPROVED BY Max	DATE 2019-02-19