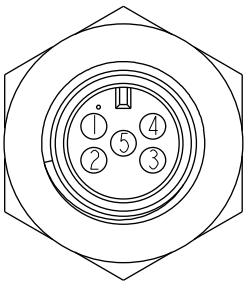
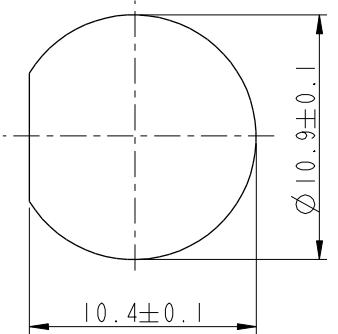
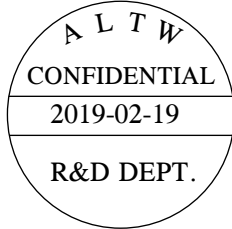
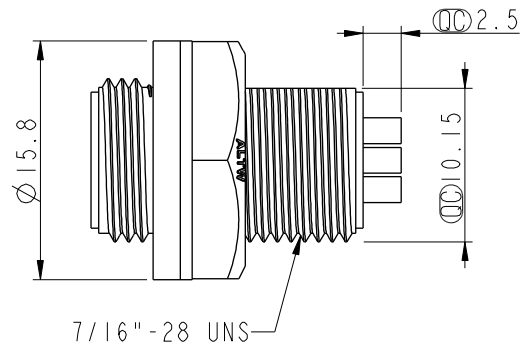


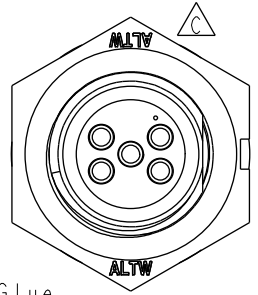
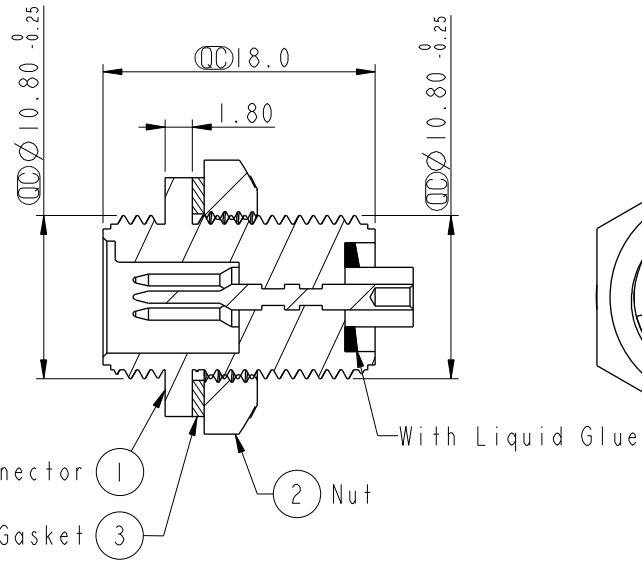
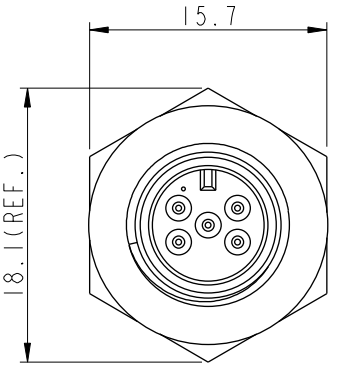
| REV. | ECN NO. | DATE | SIGN | DESCRIPTION |
|------|------------|------------|------|-------------|
| B | LEN-8A0165 | 2008/09/10 | Shin | Add Note |
| C | LEN1741243 | 2017/04/17 | Ruru | Change Logo |
| D | CI90268 | 2019/02/19 | Ruru | Modify Note |



Pin Assignments
Front View



Recommended Panel Cut-Out



- Note: \triangle
- * CC Important Dimension.
 - * Waterproof Rate: IP67, Unmated
 - * Housing: Thermoplastic, Black
 - * Pin: Copper Alloy, Gold Plated
 - * Nut: Thermoplastic, Black
 - * Gasket: Rubber, Black
 - * Liquid Glue: Clear
 - $\triangle B$ * Use with waterproof cap or dust cap
Panel Thickness max: 4.0mm
 - $\triangle B$ * Use without waterproof cap or dust cap
Panel Thickness max: 5.0mm
 - * Gasket and Nut are packed separately in PE bags.

| | | |
|-----------|------------|--|
| UNIT: mm | | |
| TOLERANCE | .X ±0.25 | |
| | .XX ±0.1 | |
| | .XXX ±0.05 | |
| ANGLES | ±1° | |

| | | | |
|--|----------------|-------------------------------|--|
| TITLE Mini Panel Screw 5Pin M Conn. M Pin | | | |
| SCALE 2:1 | SIZE A4 | SHEET 1 OF 1 | |
| REV. D | WC-REV. A.2 | CC : Inspection item | |

Amphenol LTW
安費諾亮泰企業股份有限公司

| | | |
|------------------------------|--------------------|--------------------|
| ITEM NO. AU-05RMMS-SC7001 | DRAWN BY Ruru | DATE 2019-02-19 |
| DWG NO. AU-05RMMS-SC7001 | CHECKED BY Rita | DATE 2019-02-19 |
| CUSTOMER ALTW | APPROVED BY Max | DATE 2019-02-19 |

THIS DOCUMENT IS SUBJECT TO CHANGE WITHOUT NOTICE. IT IS CONFIDENTIAL AND A PROPERTY OF AMPHENOL LTW. DISCLOSURE TO THIRD PARTY HAS TO BE AUTHORIZED BY AMPHENOL LTW.