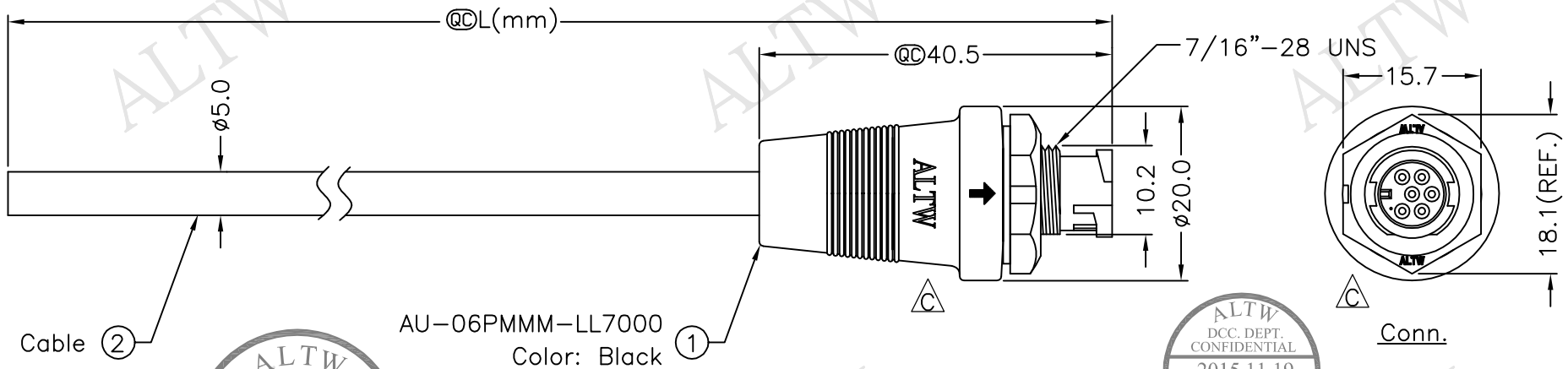


| REV. | ECN NO.        | DATE       | SIGN | DESCRIPTION        |
|------|----------------|------------|------|--------------------|
| B    | LEN-8A0152~155 | 2008/09/10 | Shin | Add Note           |
| C    | LEN15B0206~209 | 2015/11/02 | Ruru | Change Logo & Note |



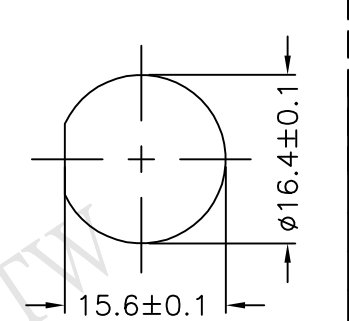
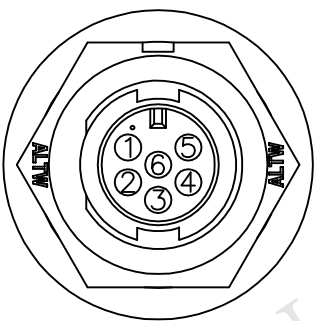
AU-06PMMM-LL7000  
Color: Black

AU-06PMMM-LL7AXX

XX:01~99Meters  
01:01Meter  
02:02Meters  
:  
:  
:  
99:99Meters  
Cable Length(L):01~99Meters

Note:

- \*  $\text{L}$  Important Dimension To Check.
- \* Waterproof Rate: IP67
- \* Housing: Nylon+GF, Black
- \* Pin: Copper Alloy, Gold Plated
- \* Cable: UL2464 26AWG\*6C+Drain+Al/My, PVC Jacket UV Resistant OD=5.0mm, Black
- $\text{B}^*$  Use with waterproof cap or dust cap  
Panel Thickness Max: 2.5mm
- $\text{B}^*$  Use without waterproof cap or dust cap  
Panel Thickness Max: 3.5mm
- $\text{C}^*$  Cable Length Tolerance: 01M:  $\pm 40$ mm  
02M~05M:  $\pm 60$ mm  
06M~10M:  $\pm 100$ mm  
11M~30M:  $\pm 200$ mm  
31M~99M:  $\pm 500$ mm



| 6     | Gray       | 灰       |
|-------|------------|---------|
| 5     | Yellow     | 黃       |
| 4     | Green      | 綠       |
| 3     | White      | 白       |
| 2     | Blue       | 藍       |
| 1     | Brown      | 棕       |
| Conn. | Wire Color | Pin Out |

Recommended Panel Cut-Out

Pin Out

|           |              |
|-----------|--------------|
| UNIT:mm   |              |
| TOLERANCE | $\pm 0.5$ mm |

|       |                                    |                              |
|-------|------------------------------------|------------------------------|
| TITLE | Mini Cable Lock 6Pin M Conn. M Pin |                              |
| SCALE | Free                               | SHEET 1 OF 1                 |
| REV.  | C                                  | SIZE A4                      |
|       |                                    | $\text{C}$ : Inspection Item |

**Amphenol LTW**  
安費諾亮泰企業股份有限公司

|          |                  |
|----------|------------------|
| ITEM NO  |                  |
| DWG NO   | AU-06PMMM-LL7AXX |
| CUSTOMER | ALTW             |

|             |      |      |            |
|-------------|------|------|------------|
| DRAWN BY    | Ruru | DATE | 2015/11/02 |
| CHECKED BY  | Rita | DATE | 2015/11/02 |
| APPROVED BY | Lisa | DATE | 2015/11/02 |

THIS DOCUMENT IS SUBJECT TO CHANGE WITHOUT NOTICE. IT IS CONFIDENTIAL AND A PROPERTY OF Amphenol LTW. DISCLOSURE TO THIRD PARTY HAS TO BE AUTHORIZED BY Amphenol LTW.