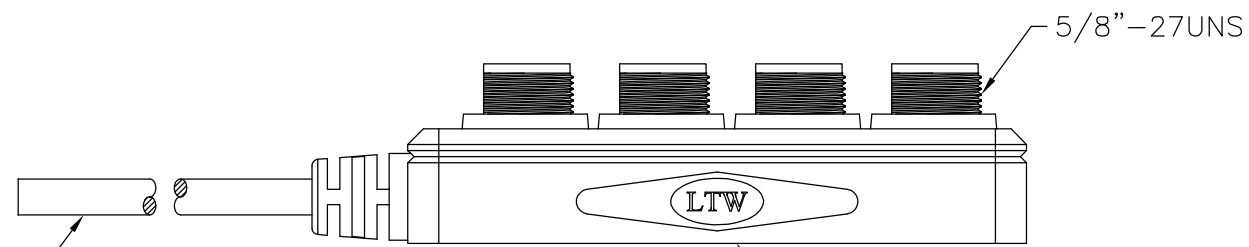
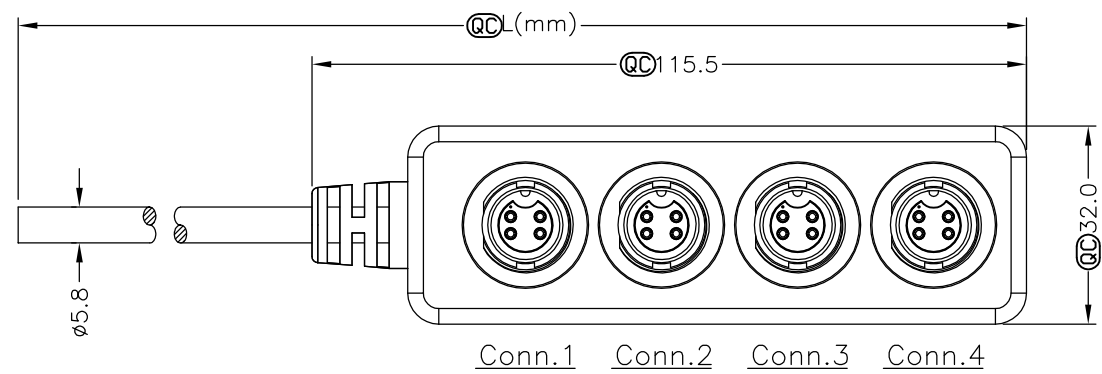


5	6	7	8
REV.	ECN NO.	DATE	SIGN
			DESCRIPTION

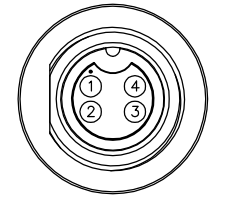


B-04040404-HHHH-SAXX
 XX :01~99Meters
 01 :01Meter
 02 :02Meters
 :
 :
 99 :99Meters
 Cable Length(L):01~99Meters

ALTW
 CONFIDENTIAL
 2007.10.15
 R&D DEPT.

ALTW
 DCC. DEPT.
 CONFIDENTIAL
 2007.10.17
 ISSUED

Conn.1,2,3&4



Pin Assignments
 Front View

	4	4	4	4	Yellow
	3	3	3	3	Red
	2	2	2	2	Green
	1	1	1	1	White
	Conn.1	Conn.2	Conn.3	Conn.4	Wire Color
	Pin Out				

Notes:

- * @C Important Dimension To Check.
- * Waterproof Rate: IP67
- * Housing: Black,Nylon+GF
- * Female Pin: Copper Alloy,Gold Plated
- * Cable: UL2464 24AWG*4C+D+AL/My Black,PVC Jacket UV Resistant, OD=5.8
- * Cable Length Tolerance: 1M~10M±5%mm, 11M~99M±500mm.

UNIT:mm	TITLE Standard, Extension Cord Screw 4P 5A		Amphenol LTW		ITEM NO	DRAWN BY Dominic David	DATE 2007/10/15
TOLERANCE ±0.5 mm	SCALE Free	SHEET 1 OF 1	安費諾亮泰企業股份有限公司		DWG NO B-04040404-HHHH-SAXX	CHECKED BY Yitung Chan	DATE 2007/10/15
	REV. A	SIZE A4	@C :Inspection Item		CUSTOMER ALTW	APPROVED BY Falcon Yen	DATE 2007/10/16

THIS DOCUMENT IS SUBJECT TO CHANGE WITHOUT NOTICE. IT IS CONFIDENTIAL AND A PROPERTY OF Amphenol LTW. DISCLOSURE TO THIRD PARTY HAS TO BE AUTHORIZED BY Amphenol LTW.