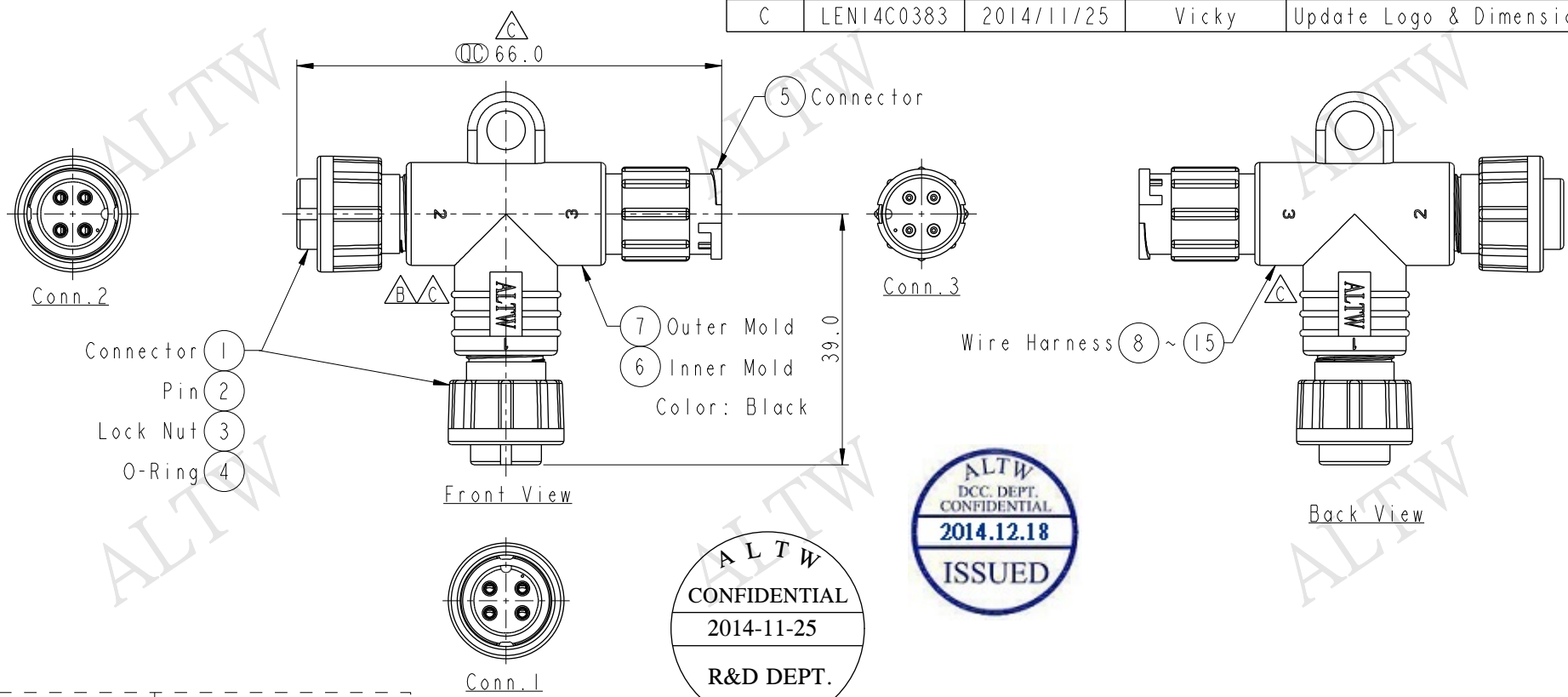


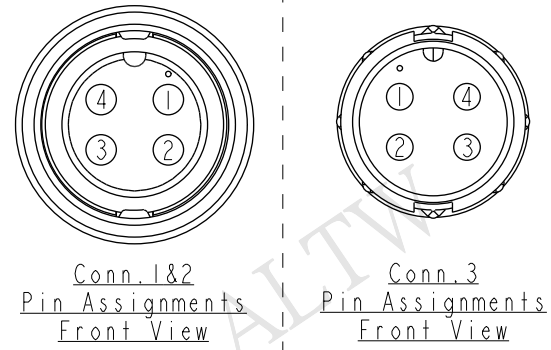
THIS DOCUMENT IS SUBJECT TO CHANGE WITHOUT NOTICE. IT IS CONFIDENTIAL AND A PROPERTY OF AMPHENOL LTW. DISCLOSURE TO THIRD PARTY HAS TO BE AUTHORIZED BY AMPHENOL LTW.

REV.	ECN NO.	DATE	SIGN	DESCRIPTION
A	Initial Release	2011/12/08	Enoch	Rev.01 Change To Rev.A
B	LE311C0110	2011/12/21	Enoch	Update Drawing
C	LEN14C0383	2014/11/25	Vicky	Update Logo & Dimension



A L T W  
CONFIDENTIAL  
2014-11-25  
R&D DEPT.

ALTW  
DCC DEPT.  
CONFIDENTIAL  
2014.12.18  
ISSUED



Pin	Conn.1	Conn.2	Conn.3	Wire Color
4	4	4	4	Brown 棕
3	3	3	3	Blue 藍
2	2	2	2	Black 黑
1	1	1	1	Red 紅

- Note:
- \*  $\varnothing$  Important Dimension.
  - \* Waterproof Rate: IP66
  - \* Connector: Nylon+GF, Black
  - \* Pin: Copper Alloy, Gold Plated
  - \* Lock Nut: Nylon+GF, Black
  - \* O-Ring: EPDM, Black
  - \* Wire Harness: UL1007 24AWG

A	UNIT:mm		TITLE Standard T Adaptor Lock 4Pin FFM Conn FFM Pin		ITEM NO BA-040404-FFM-TL001		DRAWN BY Vicky	DATE 2014-11-25	
	TOLERANCE	$\pm 0.5$ mm	SCALE 1:1	SIZE A4	SHEET 1	OF 1	CHECKED BY Sam	DATE 2014-11-25	
			REV. C	WC-REV. A.4	$\varnothing$ : Inspection item		CUSTOMER ALTW	APPROVED BY Rita	DATE 2014-11-25
					<b>Amphenol LTW</b> 安費諾亮泰企業股份有限公司				