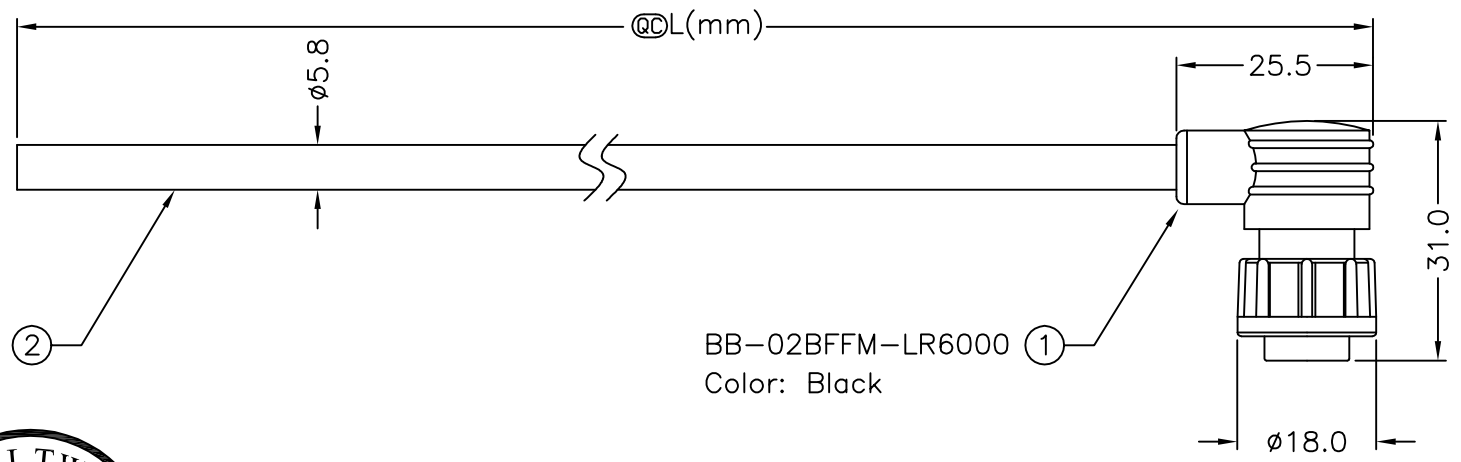


5	6	7	8
REV.	ECN NO.	DATE	SIGN
			DESCRIPTION

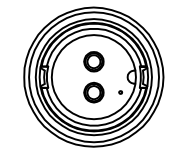


BB-02BFFM-LR6000 (1)
Color: Black

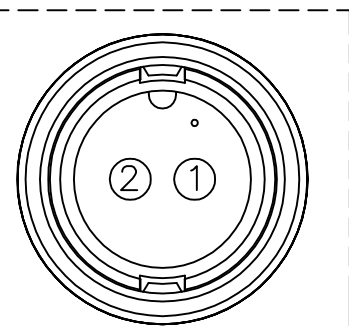
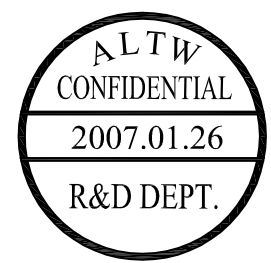
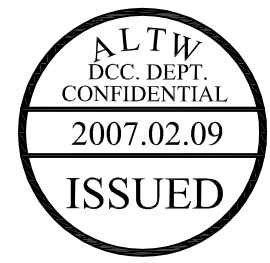
BB-02BFFM-LR6AXX

- XX:01~99Meter
- 01:01Meter
- 02:02Meters
- ⋮
- 99:99Meters

Cable Length(L):01~99Meters



Conn.



Pin Assignments
Front View

2	Red
1	Green
Conn.	Wire Color
	Pin Out

Note:

- * @DL Important Dimension To Check.
- * Waterproof Rate: IP66
- * Housing: Black, Nylon+GF
- * Pin: Copper Alloy, Gold Plated
- * Cable: Black, UL2464 20AWG*2C+Drain+Al/My
PVC Jacket UV Resistant OD=5.8mm
- * Cable Length Tolerance:1M~10M±5%mm,11M~99M±500mm.

UNIT:mm		TITLE	Standard, Cable Lock 2Pin F Conn. F Pin	Amphenol LTW		ITEM NO	DRAWN BY	DATE
TOLERANCE	±0.5 mm	SCALE	Free	SHEET	1 OF 1	DWG NO	CHECKED BY	DATE
		REV.	A	SIZE	A4	CUSTOMER	APPROVED BY	DATE
					@C :Inspection Item	ALTW	Win	2007/01/27

THIS DOCUMENT IS SUBJECT TO CHANGE WITHOUT NOTICE. IT IS CONFIDENTIAL AND A PROPERTY OF Amphenol LTW. DISCLOSURE TO THIRD PARTY HAS TO BE AUTHORIZED BY Amphenol LTW.