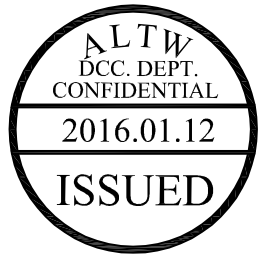
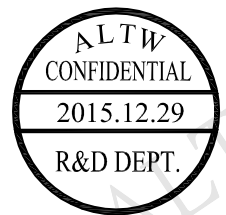
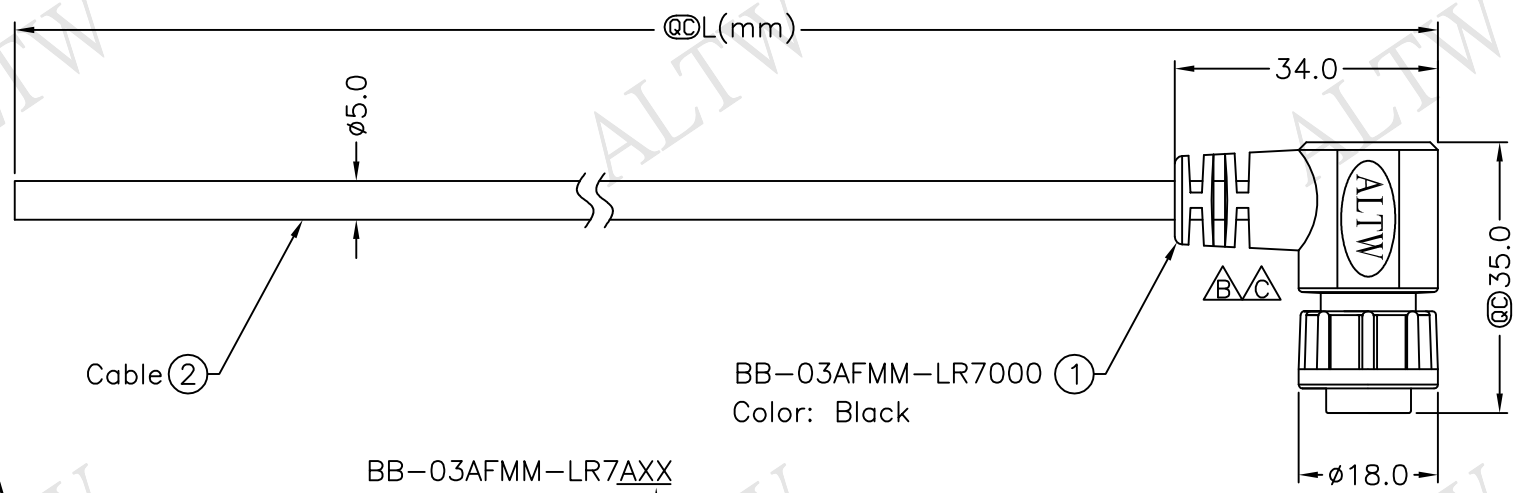
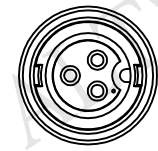


REV.	ECN NO.	DATE	SIGN	DESCRIPTION
B	LEN1190098~101	2011/08/18	Jiang Jun Huo	Change SR View
C	LEN1610085~088	2015/12/29	Ruru	Change Logo

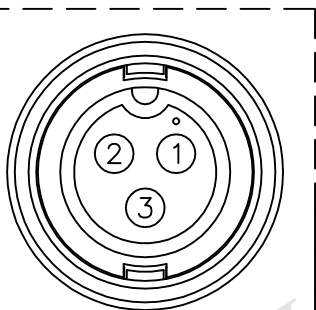


BB-03AFMM-LR7AXX  
 XX:01~99Meter  
 01:01Meter  
 02:02Meters  
 :  
 :  
 99:99Meters  
 Cable Length(L):01~99Meters



Conn.

- Note:
- \* @C Important Dimension To Check.
  - \* Waterproof Rate: IP67
  - \* Housing: Black, Nylon+GF
  - \* Pin: Copper Alloy, Gold Plated
  - \* Cable: Black, UL2464 20AWG\*3C+Al/My PVC Jacket UV Resistant, OD=5.0mm
  - \* Cable Length Tolerance:
    - 01M:±40mm
    - 02M~05M:±60mm
    - 06M~10M:±100mm
    - 11M~30M:±200mm
    - 31M~99M:±500mm



Pin Assignments Front View

3	Yellow	黃
2	White	白
1	Black	黑
Conn.	Wire Color	
Pin Out		

UNIT:mm	
TOLERANCE	±0.5 mm

TITLE	Standard Cable Lock 3Pin F Conn M Pin		
SCALE	Free	SHEET	1 OF 1
REV.	C	SIZE	A4
		@C	:Inspection Item

**Amphenol LTW**  
 安費諾亮泰企業股份有限公司

ITEM NO	BB-03AFMM-LR7AXX	DRAWN BY	Ruru	DATE	2015/12/29
DWG NO	BB-03AFMM-LR7AXX	CHECKED BY	Rita	DATE	2015/12/29
CUSTOMER	ALTW	APPROVED BY	Lisa	DATE	2015/12/29

THIS DOCUMENT IS SUBJECT TO CHANGE WITHOUT NOTICE. IT IS CONFIDENTIAL AND A PROPERTY OF Amphenol LTW. DISCLOSURE TO THIRD PARTY HAS TO BE AUTHORIZED BY Amphenol LTW.