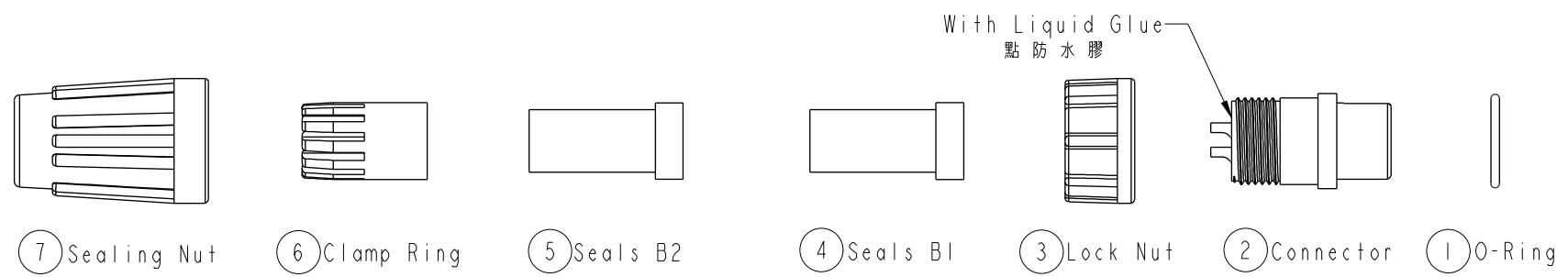


THIS DOCUMENT IS SUBJECT TO CHANGE WITHOUT NOTICE. IT IS CONFIDENTIAL AND A PROPERTY OF AMPHENOL LTW. DISCLOSURE TO THIRD PARTY HAS TO BE AUTHORIZED BY AMPHENOL LTW.

REV.	ECN NO.	DATE	SIGN	DESCRIPTION

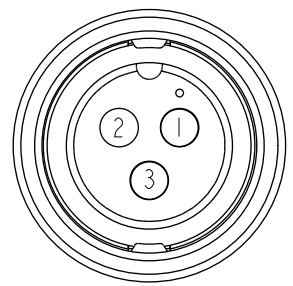
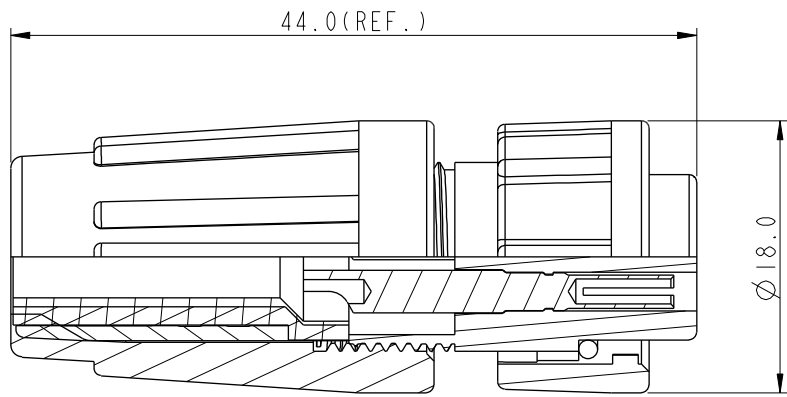


⑦ Sealing Nut ⑥ Clamp Ring ⑤ Seals B2 ④ Seals B1 ③ Lock Nut ② Connector ① O-Ring

ALTW
DCC. DEPT.
CONFIDENTIAL
2012-03-19
ISSUED

ALTW
CONFIDENTIAL
2012-03-07
R&D DEPT.

- Note:
- * Seals B1 for Cable OD: $\varnothing 4.5\text{mm} \sim \varnothing 6.5\text{mm}$
(防水墊圈B1線徑: $\varnothing 4.5\text{mm} \sim \varnothing 6.5\text{mm}$)
 - * Seals B2 for Cable OD: $\varnothing 3.5\text{mm} \sim \varnothing 5.3\text{mm}$
(防水墊圈B2線徑: $\varnothing 3.5\text{mm} \sim \varnothing 5.3\text{mm}$)
 - * One Set Unassembled in One PE Bag
(每一組未組裝, 放置於一個PE袋, 並封口)
 - * CC Important Dimension.
 - * Waterproof Rate : IP66
 - * Ring: Black, EPDM
 - * Housing: Black, Nylon+GF
 - * Pin: Copper Alloy, Gold Plated
 - * Lock Nut: Black, Nylon+GF
 - * Seals: Black, EPDM
 - * Clamping Ring: Black, Nylon
 - * Sealing Nut: Black, Nylon
 - * PE Bag: 90mm*85mm
 - * Liquid Glue: Clear



Pin Assignments
Front View 前視圖

UNIT: mm		
TOLERANCE	±0.25	
.X	±0.1	
.XX	±0.05	
.XXX	±1°	
ANGLES		

TITLE Standard, Assy Lock 3Pin F Conn F Pin			
SCALE 1:1	SIZE A4	SHEET 1 OF 1	
REV. A	WC-REV. A.2	CC : Inspection item	

Amphenol LTW
安費諾亮泰企業股份有限公司

ITEM NO. BB-03BFFA-LL6001	DRAWN BY SamChang	DATE 2012-03-07
DWG NO. BB-03BFFA-LL6001	CHECKED BY Jeffrey	DATE 2012-03-19
CUSTOMER ALTW	APPROVED BY Kevin	DATE 2012-03-19