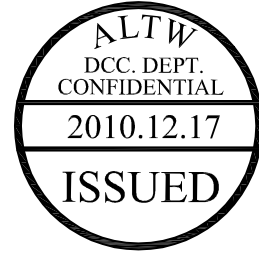
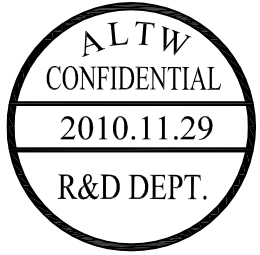
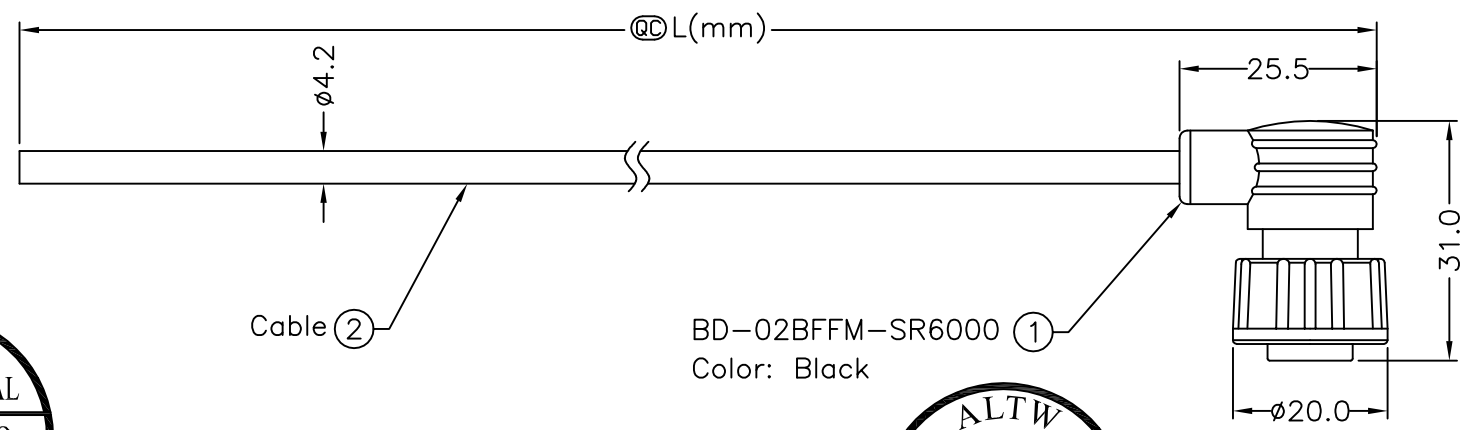


REV.	ECN NO.	DATE	SIGN	DESCRIPTION
B	LEN-0C0522~525	2010/11/29	Ivan	Change View

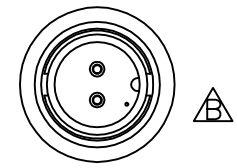
1 2 3 4 5 6 7 8

F  
E  
D  
C  
B  
A

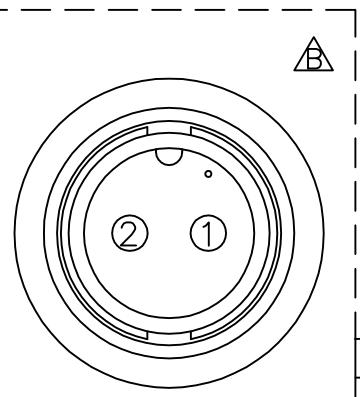
THIS DOCUMENT IS SUBJECT TO CHANGE WITHOUT NOTICE. IT IS CONFIDENTIAL AND A PROPERTY OF Amphenol LTW. DISCLOSURE TO THIRD PARTY HAS TO BE AUTHORIZED BY Amphenol LTW.



BD-02BFFM-SR6AXX  
 ↑  
 XX:01~99Meter  
 01:01Meter  
 02:02Meters  
 ∴  
 99:99Meters  
 Cable Length(L):01~99Meters



- Note:
- \* @C Important Dimension To Check.
  - \* Waterproof Rate: IP66
  - \* Housing: Nylon+GF, Black.
  - \* Pin: Copper Alloy, Gold Plated
  - \* Cable: UL2464 24AWG\*2C+Drain+Al/My PVC Jacket UV Resistant, OD=4.2mm, Black
  - \* Cable Length Tolerance:01M:±40mm  
 02M~05M:±60mm  
 06M~10M:±100mm  
 11M~30M:±200mm  
 31M~99M:±500mm



Pin Assignments  
Front View

2	Red	紅
1	Black	黑
Conn.	Wire Color	
Pin Out		

UNIT:mm		TITLE	Standard	ITEM NO	DRAWN BY	DATE
TOLERANCE	±0.5 mm	Cable Screw 2Pin F Conn F Pin	<b>Amphenol LTW</b>	BD-02BFFM-SR6AXX	Ivan	2010/11/29
		SCALE Free	<b>安費諾亮泰企業股份有限公司</b>	CUSTOMER	Willy	2010/11/29
		SHEET 1 OF 1			Yitung	2010/11/29
		REV. B				
		SIZE A4				
		@C :Inspection Item				