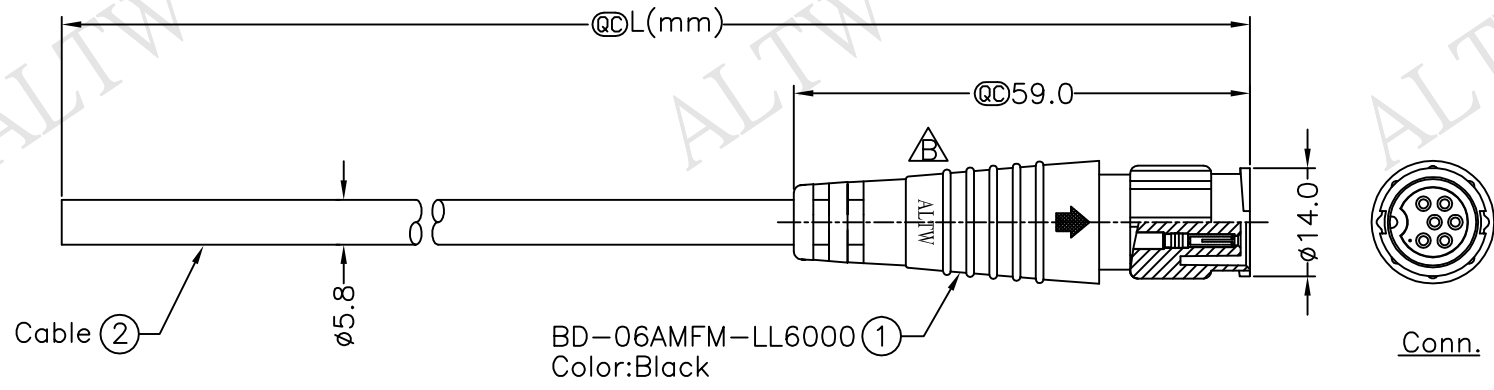
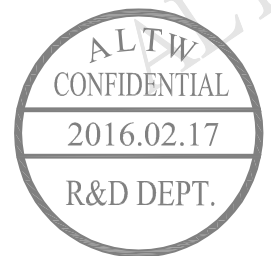


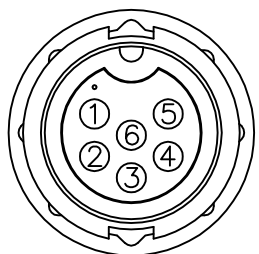
REV.	ECN NO.	DATE	SIGN	DESCRIPTION
B	LEN1630356~359	2016/02/17	Ruru	Change Logo & Note



BD-06AMFM-LL6AXX  
 XX:01~99Meter  
 01:01Meter  
 02:02Meters  
 ...  
 99:99Meters  
 Cable Length(L):01~99Meters



- Note:
- \* @ Important Dimension.
  - \* Waterproof Rate: IP66
  - \* Housing: Nylon+GF, Black
  - \* Female Pin: Copper Alloy, Gold Plated
  - \* Cable: UL2464 24#\*6C+Drain+Al/My, UV Resistant ,OD=5.8mm, Black
  - \* Cable Length Tolerance: 01M: ±40mm  
 02M~05M: ±60mm  
 06M~10M: ±100mm  
 11M~30M: ±200mm  
 31M~99M: ±500mm



White	白	6
Red	紅	5
Orange	橙	4
Yellow	黃	3
Green	綠	2
Blue	藍	1
Wire Color	Pin Out	Conn.

UNIT:mm		TITLE
TOLERANCE	±0.5 mm	Standard,Cable Lock 6Pin M Conn F Pin
SCALE	1:1	SHEET 1 OF 1
REV. B	SIZE A4	@ :Inspection Item

**Amphenol LTW**  
 安費諾亮泰企業股份有限公司

ITEM NO	DRAWN BY	DATE
DWG NO	CHECKED BY	DATE
CUSTOMER	APPROVED BY	DATE
	Ruru	2016/02/17
BD-06AMFM-LL6AXX	Rita	2016/02/17
ALTW	Lisa	2016/02/17

THIS DOCUMENT IS SUBJECT TO CHANGE WITHOUT NOTICE. IT IS CONFIDENTIAL AND A PROPERTY OF Amphenol LTW. DISCLOSURE TO THIRD PARTY HAS TO BE AUTHORIZED BY Amphenol LTW.

A B C D E F