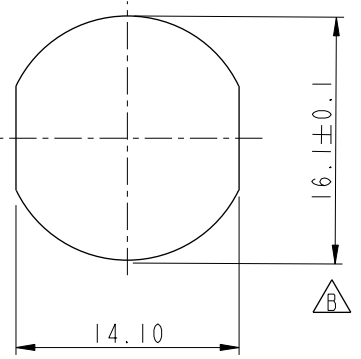


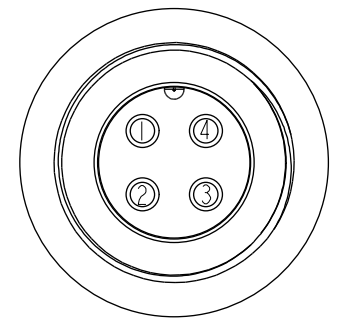
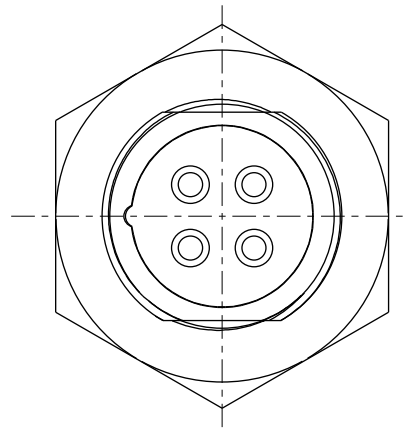
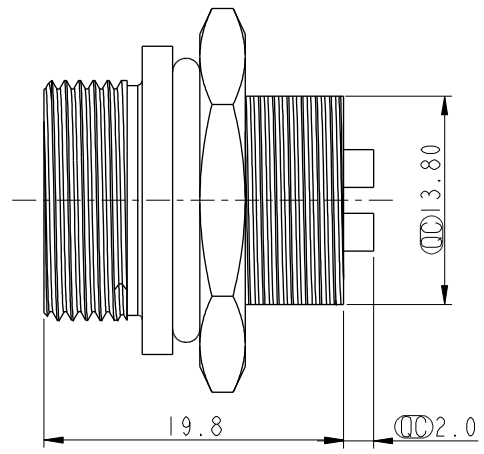
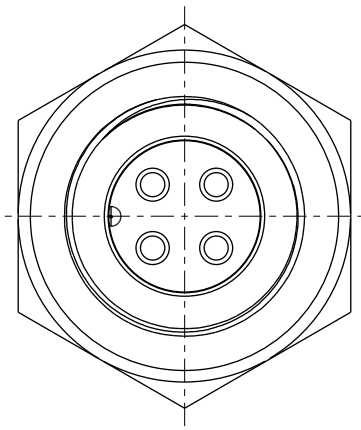
THIS DOCUMENT IS SUBJECT TO CHANGE WITHOUT NOTICE. IT IS CONFIDENTIAL AND A PROPERTY OF Amphenol LTW. DISCLOSURE TO THIRD PARTY HAS TO BE AUTHORIZED BY Amphenol LTW.

REV.	ECN NO.	DATE	SIGN	DESCRIPTION
B	LEN1830026	2018-03-01	Wen	Correct Panel Cut
C	CI90269	2019/03/06	Ruru	Modify Note

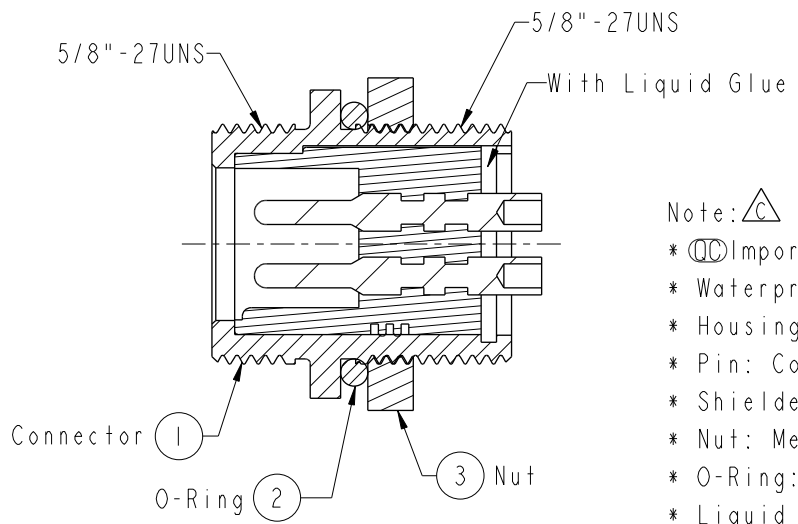
**ALTW**  
**CONFIDENTIAL**  
 2019-03-06  
**R&D DEPT.**



Recommended Panel Cut-out



Pin Assignments  
Front View 前視圖



- Note:
- \* Important Dimension
  - \* Waterproof Rate: IP67, Unmated
  - \* Housing: Thermoplastic, Black
  - \* Pin: Copper Alloy, Gold Plated
  - \* Shielded: Metal, Nickel Plated
  - \* Nut: Metal, Nickel Plated
  - \* O-Ring: Rubber, Black
  - \* Liquid Glue: Black
  - \* For Panel Thickness Max 7.0mm
  - \* Nut are packed separately in PE bags

UNIT: mm	
TOLERANCE	
.X	±0.25
.XX	±0.1
.XXX	±0.05
ANGLES	±1°

TITLE Circular, Panel Screw 4Pin Male Connector Male Pin(10A)			
SCALE	SIZE	SHEET	OF
2:1	A4	1	1
REV.	WC-REV.	Inspection item	
C	A.2		

**Amphenol LTW**  
**安費諾亮泰企業股份有限公司**

ITEM NO.	BSB-04RMMS-SC7001	DRAWN BY	Ruru	DATE	2019-03-06
DWG NO.	BSB-04RMMS-SC7001	CHECKED BY	Rita	DATE	2019-03-06
CUSTOMER	ALTW	APPROVED BY	Max	DATE	2019-03-06