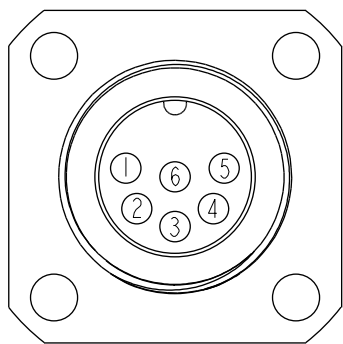
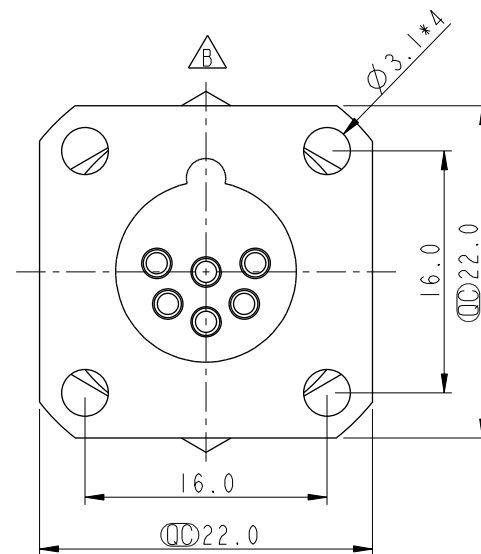
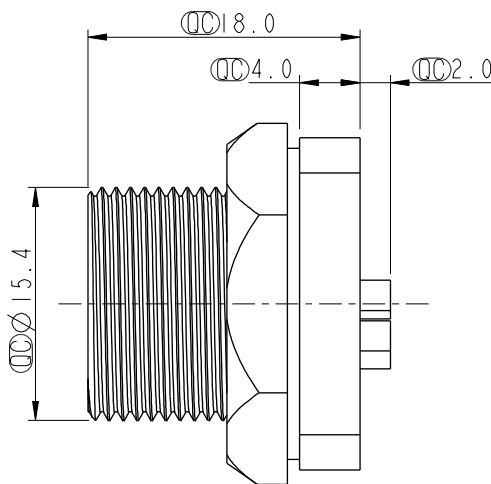
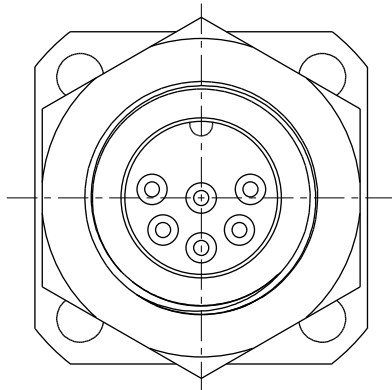
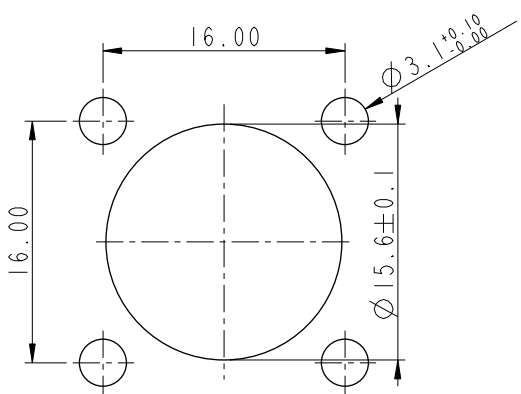


ALTW  
CONFIDENTIAL  
2019-03-06  
R&D DEPT.

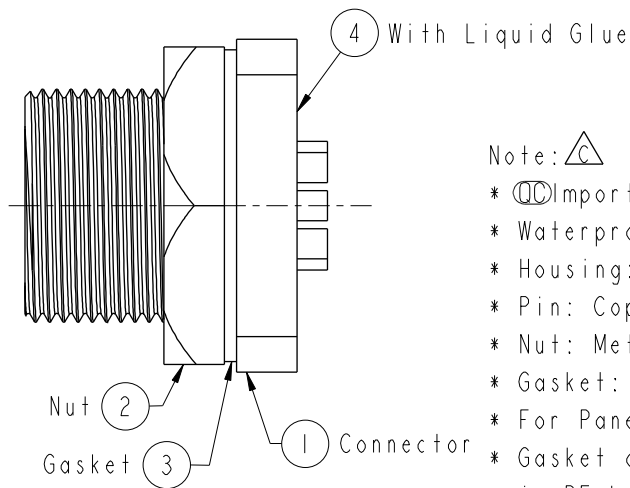
REV.	ECN NO.	DATE	SIGN	DESCRIPTION
B	LEN1290045	2012/08/24	Lu Di	Chagne View
C	CI90269	2019/03/06	Ruru	Modify Note



Pin Assignments  
Front View

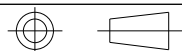


Recommended Panel Cut-Out



Note:  $\triangle C$   
 \*  $\text{CC}$  Important Dimension To Check.  
 \* Waterproof Rate: IP67, Unmated  
 \* Housing: Metal, Nickel Plated  
 \* Pin: Copper Alloy, Gold Plated  
 \* Nut: Metal, Nickel Plated  
 \* Gasket: Rubber, Black  
 \* For Panel Thickness Max Of 4.4mm.  
 \* Gasket and Nut are packed separately in PE bags.

UNIT:mm



TOLERANCE  
 .X ±0.25  
 .XX ±0.1  
 .XXX ±0.05  
 ANGLES ±1°

TITLE Standard Shielded Panel Screw 6Pin M Conn M Pin			
SCALE 2:1	SIZE A4	SHEET 1 OF 1	
REV. C	WC-REV. A.3	$\text{CC}$ : Inspection item	

**Amphenol LTW**  
安費諾亮泰企業股份有限公司

ITEM NO BSD-06PMMS-SS7001	DRAWN BY Ruru	DATE 2019-03-06
DWG NO BSD-06PMMS-SS7001	CHECKED BY Rita	DATE 2019-03-06
CUSTOMER ALTW	APPROVED BY Max	DATE 2019-03-06

THIS DOCUMENT IS SUBJECT TO CHANGE WITHOUT NOTICE. IT IS CONFIDENTIAL AND A PROPERTY OF Amphenol LTW. DISCLOSURE TO THIRD PARTY HAS TO BE AUTHORIZED BY Amphenol LTW.