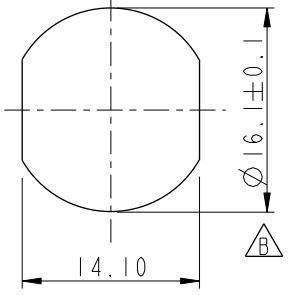
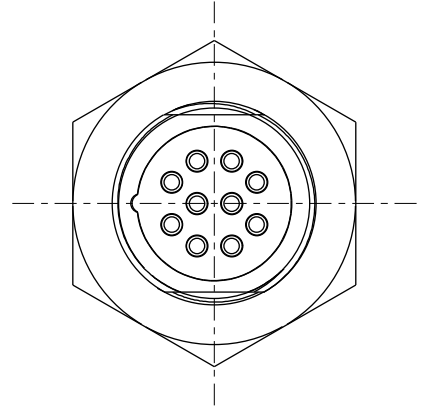
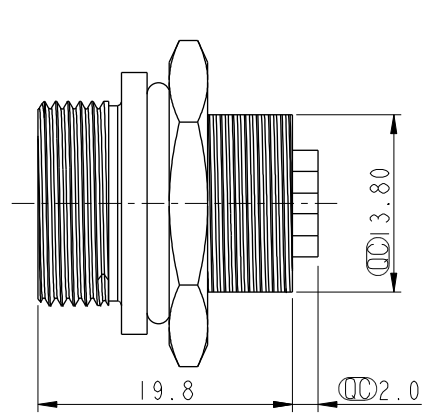
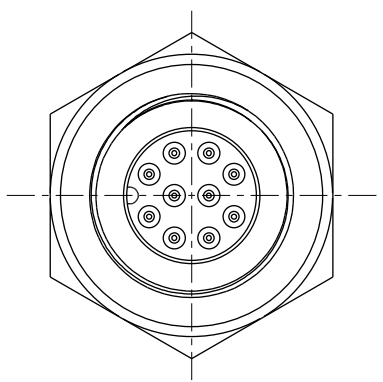


REV.	ECN NO.	DATE	SIGN	DESCRIPTION
B	LEN1830027	2018-03-01	Wen	Correct Panel Cut
C	CI90269	2019/03/06	Ruru	Modify Note

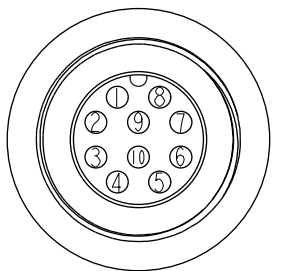
ALTW
CONFIDENTIAL
2019-03-06
R&D DEPT.

F
E
D
C
B
A

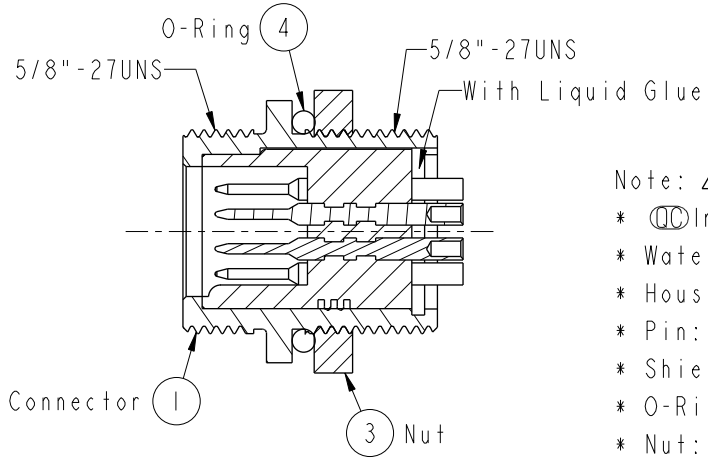
THIS DOCUMENT IS SUBJECT TO CHANGE WITHOUT NOTICE. IT IS CONFIDENTIAL AND A PROPERTY OF AMPHENOL LTW. DISCLOSURE TO THIRD PARTY HAS TO BE AUTHORIZED BY AMPHENOL LTW.



Recommended Panel Cut-Out



Pin Assignments
FrontView 前視圖



- Note: \triangle
- * \varnothing Important Dimension
 - * Waterproof Rate: IP67, Unmated
 - * Housing: Thermoplastic, Black
 - * Pin: Copper Alloy, Gold Plated
 - * Shielded: Metal, Nickel Plated
 - * O-Ring: Rubber, Black
 - * Nut: Metal, Nickel Plated
 - * Liquid Glue: Black
 - * For Panel Thickness Max 7.0mm
 - * Nut are packed separately in PE bags.

UNIT:mm		
TOLERANCE	.X ±0.25	
.XX ±0.1		
.XXX ±0.05		
ANGLES	±1°	

TITLE Circular, Panel Screw 10 Pin Male Connector Male Pin(2A)			
SCALE 17:10	SIZE A4	SHEET 1 OF 1	
REV. C	WC-REV. A.5	\varnothing : Inspection item	

Amphenol LTW
安費諾亮泰企業股份有限公司

ITEM NO BSU-10RMMS-SC7001	DRAWN BY Ruru	DATE 2019-03-06
DWG NO BSU-10RMMS-SC7001	CHECKED BY Rita	DATE 2019-03-06
CUSTOMER ALTW	APPROVED BY Max	DATE 2019-03-06