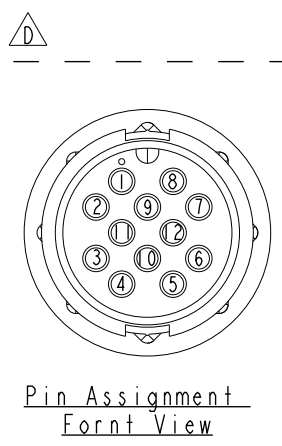
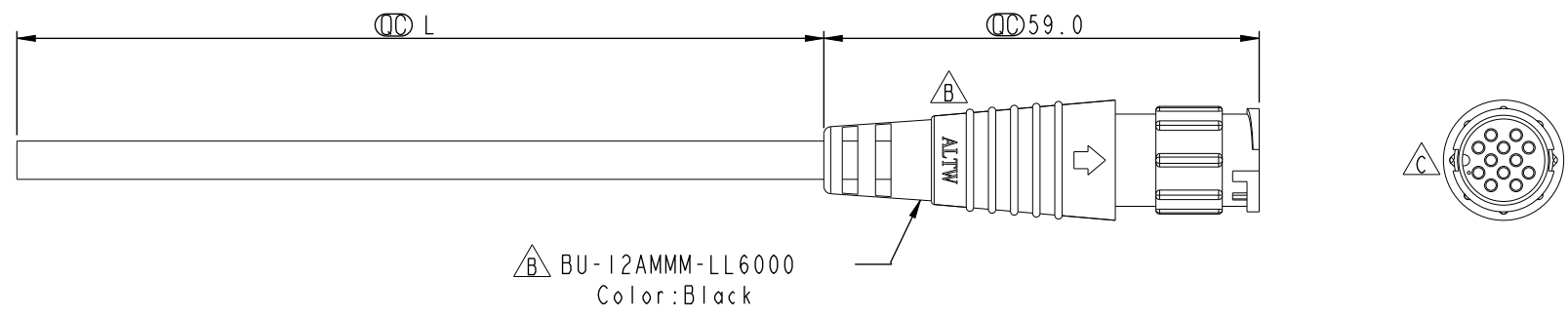


THIS DOCUMENT IS SUBJECT TO CHANGE WITHOUT NOTICE. IT IS CONFIDENTIAL AND A PROPERTY OF Amphenol LTW. DISCLOSURE TO THIRD PARTY HAS TO BE AUTHORIZED BY Amphenol LTW.

REV.	ECN NO.	DATE	SIGN	DESCRIPTION
B	LE315C0392~395	2015/12/14	Ruru	Change Logo & Note & Ball-marker
C	C190631	2019/04/29	Eric	Change lock point direction
D	C200494	2020/04/17	Eric	$\triangle D$ x1



12	Light Green	淺綠
11	Purple	紫
10	Orange	橙
9	Black	黑
8	Red	紅
7	Pink	粉紅
6	Gray	灰
5	Yellow	黃
4	Green	綠
3	White	白
2	Blue	藍
1	Brown	棕
Conn	Wire Color	Pin Out

- $\triangle B$ Note:
- * CC Important Dimension.
 - * Waterproof Rate : IP66
 - * Connector: Nylon+GF, Black
 - * Male Pin: Copper Alloy, Gold Plated
 - * Cable: UL2464 26AWG*12C+Drain+Al/My
UV Resistant, OD=6.0mm, Black
 - * Cable Length Tolerance: 01M: ± 40 mm
02~05M: ± 60 mm
06M~10M: ± 100 mm
11M~30M: ± 200 mm
31M~99M: ± 500 mm

UNIT:mm	
TOLERANCE	± 0.5 mm

TITLE Lock Type Cable Assembly-180° 12Pin Male Connector Male Pin(2A)			
SCALE 1:1	SIZE A4	SHEET 1 OF 1	
REV. D	WC-REV. A.3	CC : Inspection item	

Amphenol LTW
安費諾亮泰企業股份有限公司

ITEM NO	DRAWN BY Eric	DATE 2019/04/29
DWG NO BU-12AMMM-LL6AXX	CHECKED BY Jane	DATE 2019/04/29
CUSTOMER ALTW	APPROVED BY Neo	DATE 2019/04/29