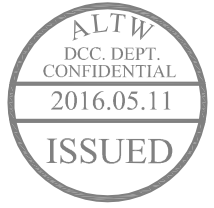
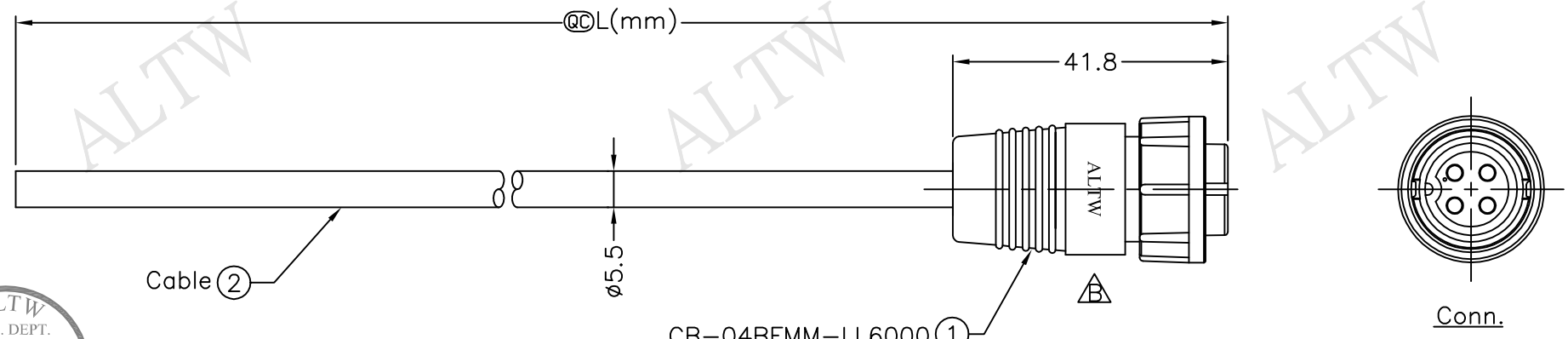


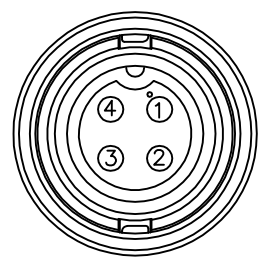
5	6	7	8
REV. B	ECN NO. LEN1650084~087	DATE 2016/05/04	SIGN Ruru
			DESCRIPTION Change Logo & Note



CB-04BFMM-LL6000 ①
Color: Black

CB-04BFMM-LL6AXX
XX:01~99Meters
01:01Meter
02:02Meters
...
99:99Meters
Cable Length(L):01~99Meters

- Note:
- * @C Important Dimension.
 - * Waterproof Rate: IP66
 - * Housing: Nylon+GF,Black
 - * Pin:Copper Alloy,Gold Plated
 - * Ring: EPDM,Black
 - * Nut: Nylon+GF,Black
 - * Cable: UL2464 20AWG*4C+Drain+AL/My Black,PVC Jacket,UV Resistant,OD=5.5mm
 - * Cable Length Tolerance: 01M: ±40mm
02M~05M: ±60mm
06M~10M: ±100mm
11M~30M: ±200mm
31M~99M: ±500mm



Pin Assignments
Front View

White	4
Black	3
Blue	2
Brown	1
Wire Color	Conn
Pin Out	



UNIT:mm	
TOLERANCE	±0.5mm

TITLE	Middle	
	Cable Lock 4Pin F Conn M Pin	
SCALE	Free	SHEET 1 OF 1
REV. B	SIZE A4	@C :Inspection Item

Amphenol LTW
安費諾亮泰企業股份有限公司

ITEM NO	
DWG NO	CB-04BFMM-LL6AXX
CUSTOMER	ALTW

DRAWN BY	Ruru
CHECKED BY	Rita
APPROVED BY	Lisa

DATE	2016/05/04
DATE	2016/05/04
DATE	2016/05/04

THIS DOCUMENT IS SUBJECT TO CHANGE WITHOUT NOTICE. IT IS CONFIDENTIAL AND A PROPERTY OF Amphenol LTW. DISCLOSURE TO THIRD PARTY HAS TO BE AUTHORIZED BY Amphenol LTW.

A B C D E F