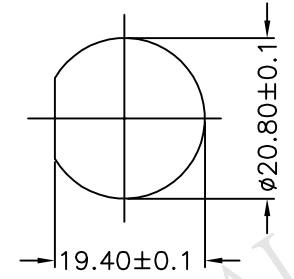
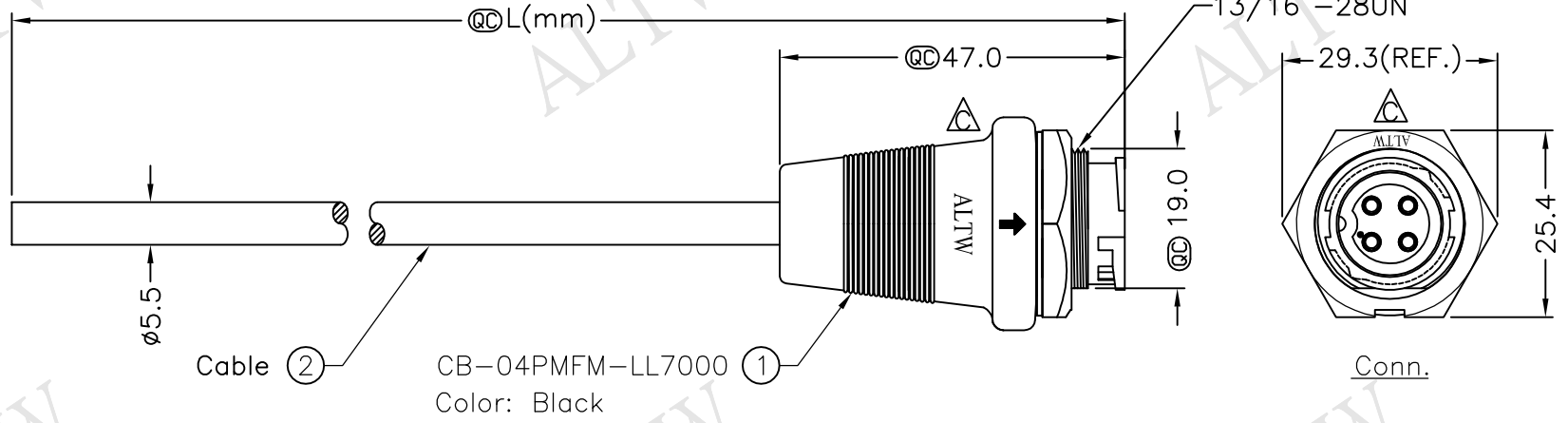
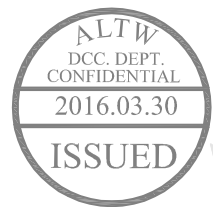
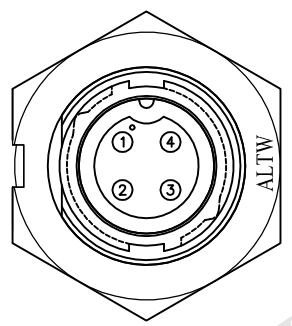


REV.	ECN NO.	DATE	SIGN	DESCRIPTION
B	LEN-8B0155~58	2008/09/25	Shin	Add Note
C	LEN1630478~481	2016/03/14	Ruru	Change Logo & Note



Recommended Panel Cut-Out



Pin Assignments Front View



4	White	白
3	Black	黑
2	Blue	藍
1	Brown	棕
Conn.	Wire Color	
	Pin Out	

CB-04PMFM-LL7AXX

XX:01~99Meter
 01:01Meter
 02:02Meters
 :
 :
 99:99Meters

Cable Length(L):01~99Meters

- Note:
- * @C Important Dimension To Check.
 - * Waterproof Rate: IP67
 - * Housing: Nylon+GF,Black
 - * Pin: Copper Alloy,Gold Plated
 - * Cable: UL2464 20AWG*4C+D+AL/My Black,PVC Jacket UV Resistant, OD=5.5
 - △* Use with waterproof cap or dust cap
Panel Thickness Max: 2.0mm
 - △* Use without waterproof cap or dust cap
Panel Thickness Max: 3.0mm
 - △* Cable Length Tolerance: 01M: ±40mm
02M~05M: ±60mm
06M~10M: ±100mm
11M~30M: ±200mm
31M~99M: ±500mm

UNIT:mm		TITLE
TOLERANCE	±0.5 mm	Middle, Cable Lock 4 Pin M Conn. F Pin
SCALE	Free	SHEET 1 OF 1
REV. C	SIZE A4	QC : Inspection Item

Amphenol LTW
安費諾亮泰企業股份有限公司

ITEM NO	DRAWN BY	DATE
DWG NO CB-04PMFM-LL7AXX	Ruru	2016/03/14
CUSTOMER ALTW	CHECKED BY Rita	DATE 2016/03/14
	APPROVED BY Lisa	DATE 2016/03/14

THIS DOCUMENT IS SUBJECT TO CHANGE WITHOUT NOTICE. IT IS CONFIDENTIAL AND A PROPERTY OF Amphenol LTW. DISCLOSURE TO THIRD PARTY HAS TO BE AUTHORIZED BY Amphenol LTW.