

THIS DOCUMENT IS SUBJECT TO CHANGE WITHOUT NOTICE. IT IS CONFIDENTIAL AND A PROPERTY OF AMPHENOL LTW. DISCLOSURE TO THIRD PARTY HAS TO BE AUTHORIZED BY AMPHENOL LTW.

REV.	ECN NO.	DATE	SIGN	DESCRIPTION
B	LEN-9A0255~258	2009/04/17	Li Xiu Zhi	Change SR View & Update Note
C	LEN1480096~099	2014/07/29	Vicky	Update Logo



ALTW

ALTW

ALTW

ALTW

ALTW

ALTW

ALTW

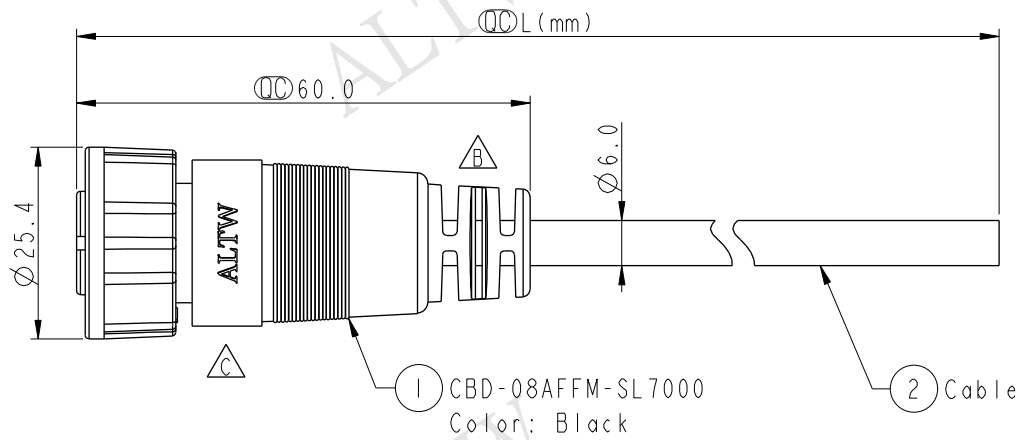
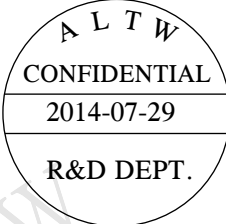
ALTW

ALTW

ALTW

ALTW

ALTW



Conn.

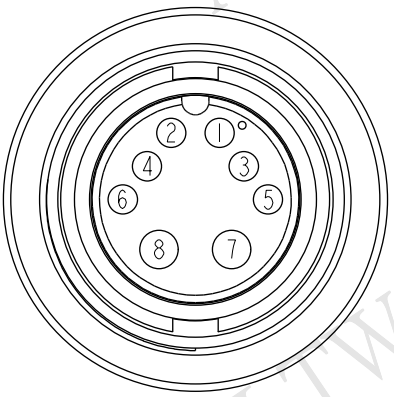
CBD-08AFFM-SL7AXX

- XX : 01~99Meters
- 01 : 01Meter
- 02 : 02Meters
- ...
- 99 : 99Meters

Cable Length(L):01~99Meters

Note:

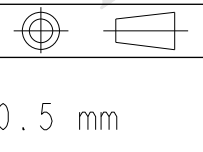
- * \varnothing Important Dimension To Check
- * Waterproof Rate: IP67
- * Housing: Nylon+GF, Black
- * Female Pin: Copper Alloy, Gold Plated
- * Screw Nut: Nylon+GF, Black
- * O-Ring: EPDM, Black
- * Cable: UL2464 (20AWG*2C+24AWG*6C)+Drain+Al/My, Black,PVC Jacket,UV Resistant,OD=6.0
- * Cable Length Tolerance:
 - 01M~05M: ±60mm
 - 06M~10M: ±100mm
 - 11M~30M: ±200mm
 - 31M~99M: ±500mm



Pin Assignments Front View

8	Green	20AWG	綠
7	Blue	20AWG	藍
6	Yellow	24AWG	黃
5	Orange	24AWG	橘
4	Red	24AWG	紅
3	Brown	24AWG	棕
2	Black	24AWG	黑
1	Purple	24AWG	紫
Conn.	Wire Color		
Pin Out			

UNIT:mm
TOLERANCE
±0.5 mm



TITLE			
Middle Cable Screw 8Pin F Conn F Pin			
SCALE	SIZE	SHEET	OF
1:1	A4	1	1
REV.	WC-REV.	\varnothing : Inspection item	
C	A.1		

Amphenol LTW
安費諾亮泰企業股份有限公司

ITEM NO	DWG NO	CUSTOMER
	CBD-08AFFM-SL7AXX	ALTW

DRAWN BY	CHECKED BY	APPROVED BY
Vicky	Sam	Rita

DATE	DATE	DATE
2014-07-29	2014-07-29	2014-07-29