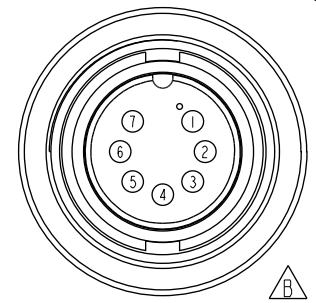
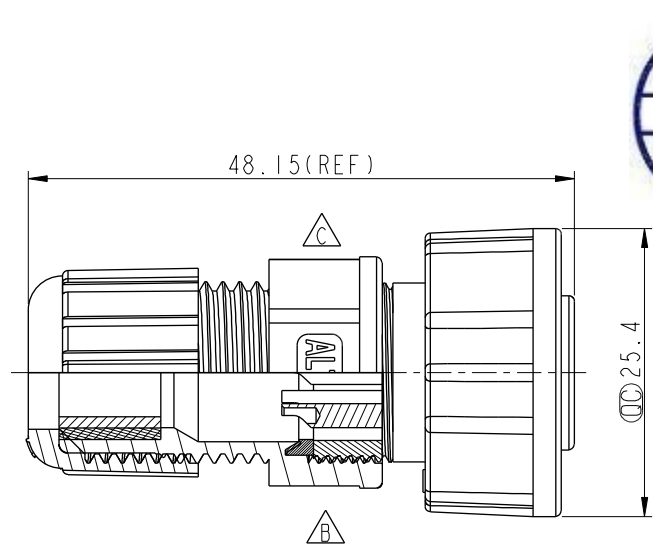
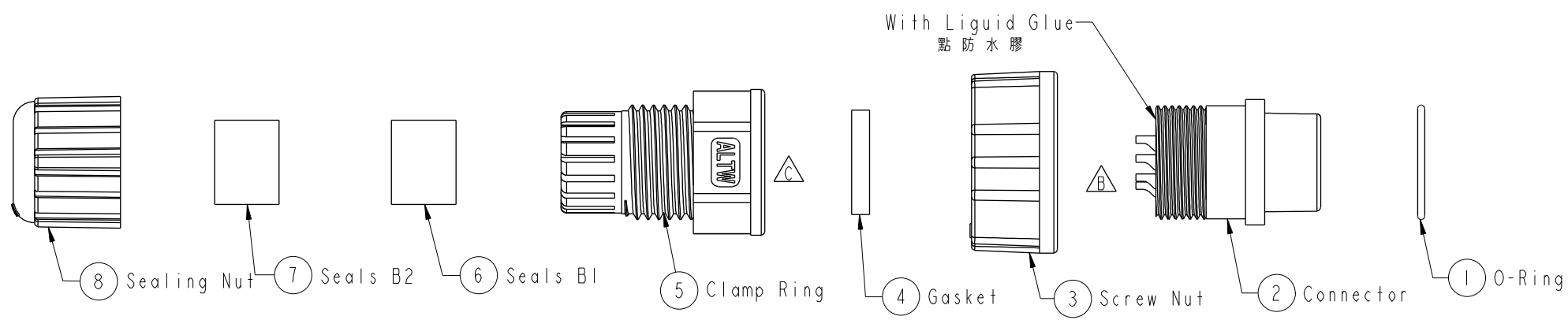
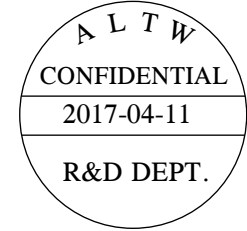


THIS DOCUMENT IS SUBJECT TO CHANGE WITHOUT NOTICE. IT IS CONFIDENTIAL AND A PROPERTY OF Amphenol LTW. DISCLOSURE TO THIRD PARTY HAS TO BE AUTHORIZED BY Amphenol LTW.

REV.	ECN NO.	DATE	SIGN	DESCRIPTION
B	LEN-0C0091	2010/11/23	IVNA	Change View
C	LEN1741184	2017/04/11	Ruru	Change Logo



Pin Assignments
Front View前視圖



Note:

- * \varnothing Important Dimension.
- * Waterproof Rate: IP67
- * Housing: Nylon+GF, Black.
- * Female Pin: Copper Alloy, Gold Plated.
- * O-Ring: EPDM, Black.
- * Screw Nut: Nylon+GF, Black.
- * Gasket: EPDM, Black.
- * Seals :EPDM, Black
- * Clamp Ring: Nylon, Black.
- * Sealing Nut: Nylon, Black.
- * Liquid Glue: Clear
- * Seals B1 for Cable OD: $\varnothing 7.6\text{mm} \sim \varnothing 9.6\text{mm}$
(防水墊圈B1線徑 $\varnothing 7.6\text{mm} \sim \varnothing 9.6\text{mm}$)
- * Seals B2 for Cable OD: $\varnothing 4.0\text{mm} \sim \varnothing 7.6\text{mm}$
(防水墊圈B2線徑: $\varnothing 4.0\text{mm} \sim \varnothing 7.6\text{mm}$)
- * One Set Unassembled in One PE Bag.
(每一組未組裝, 放置於一個PE袋, 並封口)

UNIT: mm		TITLE Middle Assy Screw 7Pin F Conn F Pin			ITEM NO CD-07BFFA-SL7001		DRAWN BY Ruru		DATE 2017-04-11	
		TOLERANCE .X ±0.25 .XX ±0.1 .XXX ±0.05 ANGLES ±1°			SCALE 1:1	SIZE A4	SHEET 1	OF 1	DWG NO CD-07BFFA-SL7001	
		REV. C	WC-REV. A.2	Inspection item		CUSTOMER ALTW		APPROVED BY Max		DATE 2017-04-11

Amphenol LTW
安費諾亮泰企業股份有限公司