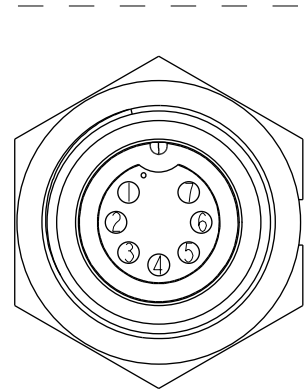
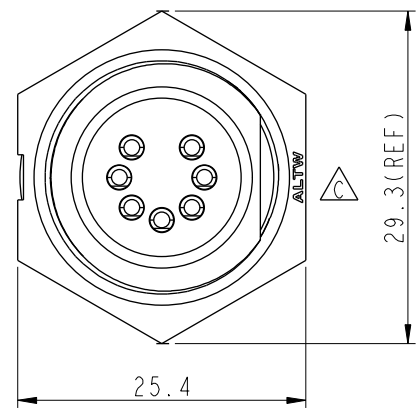
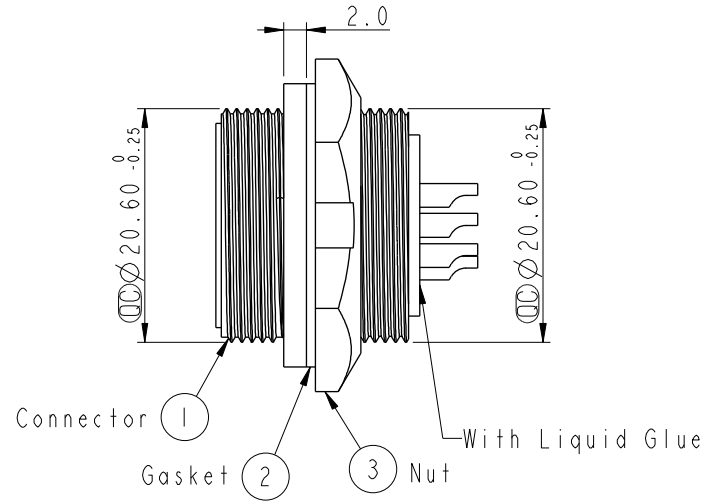
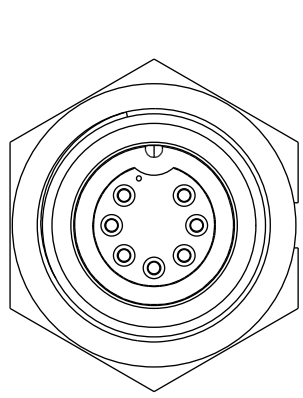


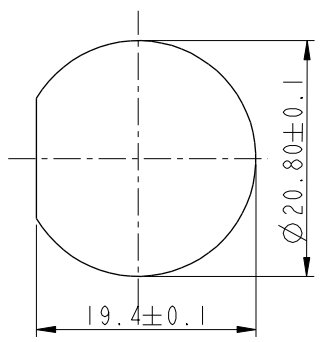
THIS DOCUMENT IS SUBJECT TO CHANGE WITHOUT NOTICE. IT IS CONFIDENTIAL AND A PROPERTY OF AMPHENOL LTW. DISCLOSURE TO THIRD PARTY HAS TO BE AUTHORIZED BY AMPHENOL LTW.

REV.	ECN NO.	DATE	SIGN	DESCRIPTION
B	LEN-8B0254	2008/10/03	Shin	Add Note
C	CI90271	2019/02/27	Ruru	Modify Note & Change Logo

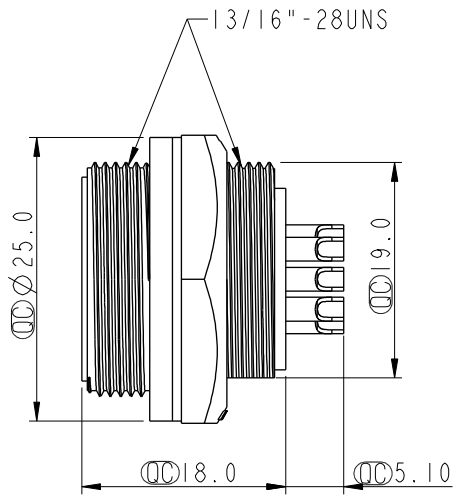
**ALTW**  
 CONFIDENTIAL  
 2019-02-27  
 R&D DEPT.



Pin Assignments  
Front View



Recommender Panel Cut-Out



Note:  $\triangle$

- \*  $\text{M}$  Important Dimension To Check.
- \* Waterproof Rate: IP67, Unmated
- \* Housing: Thermoplastic, Black
- \* Pin: Copper Alloy, Gold Plated
- \* Nut: Thermoplastic, Black
- \* Gasket: Rubber, Black
- $\triangle B$  \* Use with waterproof cap or dust cap  
Maximum Panel Thickness: 3.0mm
- $\triangle B$  \* Use without waterproof cap or dust cap  
Maximum Panel Thickness: 4.0mm
- \* Gasket and Nut are packed separately in PE bags.

UNIT: mm   TOLERANCE .X ±0.25 .XX ±0.1 .XXX ±0.05 ANGLES ±1°	TITLE Middle, Panel Screw 7Pin M Conn. F Pin			<b>Amphenol LTW</b> 安費諾亮泰企業股份有限公司		ITEM NO CD-07RMFS-SC7001	DRAWN BY Ruru	DATE 2019-02-27
	SCALE 1:1	SIZE A4	SHEET 1 OF 1			DWG NO CD-07RMFS-SC7001	CHECKED BY Rita	DATE 2019-02-27
	REV. C	WC-REV. A.2	$\text{M}$ : Inspection item	CUSTOMER ALTW	APPROVED BY Max	DATE 2019-02-27		
						6	7	8