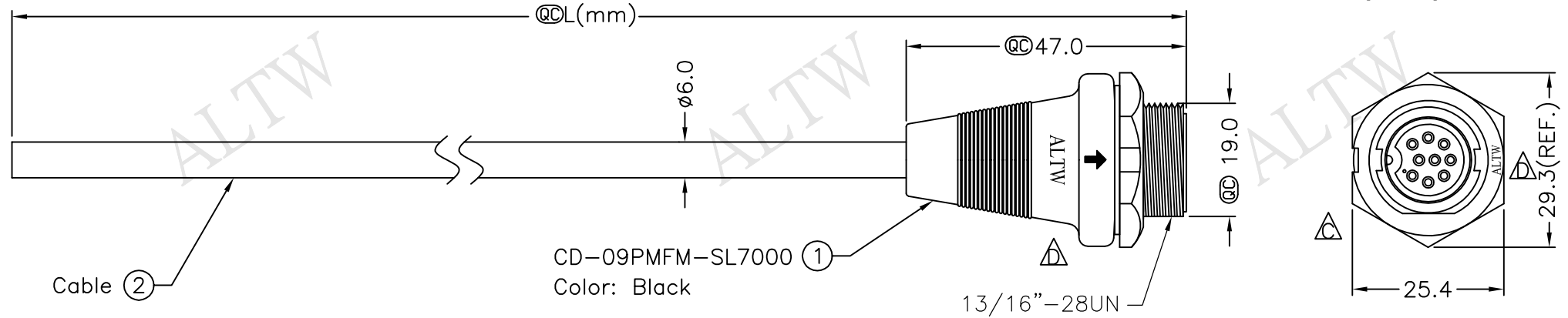


REV.	ECN NO.	DATE	SIGN	DESCRIPTION
B		2008/09/25	Shin	Add Note
C	LEN-8C0040~43	2008/11/07	Ivan	Change to pin hole
D	LEN1630468~471	2016/03/14	Ruru	Change Logo & Note

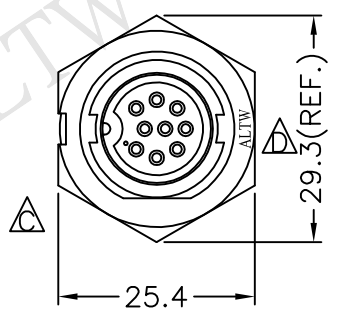


Cable ②

CD-09PMFM-SL7000 ①  
Color: Black

CD-09PMFM-SL7AXX

13/16"-28UN



Conn.

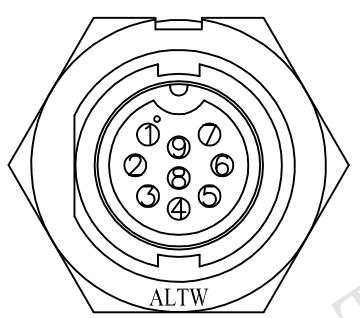


XX:01~99Meters  
01:01Meter  
02:02Meters  
:  
:  
99:99Meters

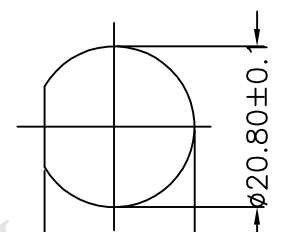
Cable Length(L):01~99Meters

Notes:

- \* @@ Important Dimension To Check.
- \* Waterproof Rate: IP67
- \* Connector: Black, Nylon+GF
- \* Pin: Copper Alloy, Gold Plated
- \* Ring: Black, EPDM
- \* Nut: Black, Nylon+GF
- \* Cable: UL2464 24AWG\*9C+D+AL/My, PVC Jacket UV Resistant, OD=6.0, Black
- △\* Use with waterproof cap or dust cap  
Panel Thickness Max: 1.2mm
- △\* Use without waterproof cap or dust cap  
Panel Thickness Max: 2.0mm
- △\* Cable Length Tolerance: 01M: ±40mm  
02M~05M: ±60mm  
06M~10M: ±100mm  
11M~30M: ±200mm  
31M~99M: ±500mm



Pin Assignments  
Front View



Recommended  
Panel Cut-Out

9	Black	黑
8	Red	紅
7	Pink	粉紅
6	Gray	灰
5	Yellow	黃
4	Green	綠
3	White	白
2	Blue	藍
1	Brown	棕
Conn.	Wire Color	
Pin Out		

UNIT:mm	
TOLERANCE	±0.5 mm

TITLE	Middle	
	Cable Screw 9Pin M Conn F Pin	
SCALE	Free	SHEET 1 OF 1
REV.	D	SIZE A4
		QC : Inspection Item

**Amphenol LTW**  
安費諾亮泰企業股份有限公司

ITEM NO	
DWG NO	CD-09PMFM-SL7AXX
CUSTOMER	ALTW

DRAWN BY	Ruru
CHECKED BY	Rita
APPROVED BY	Lisa

DATE	2016/03/14
DATE	2016/03/14
DATE	2016/03/14

THIS DOCUMENT IS SUBJECT TO CHANGE WITHOUT NOTICE. IT IS CONFIDENTIAL AND A PROPERTY OF Amphenol LTW. DISCLOSURE TO THIRD PARTY HAS TO BE AUTHORIZED BY Amphenol LTW.