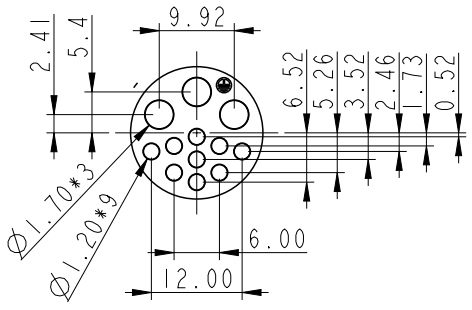
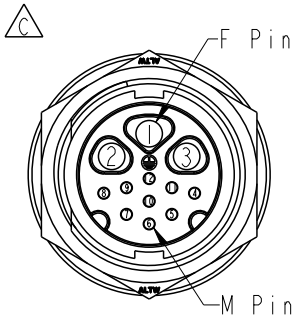
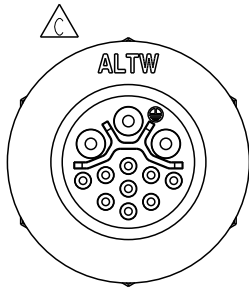
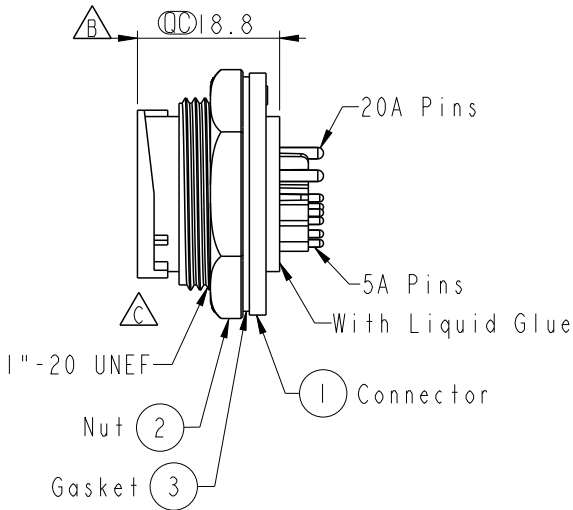
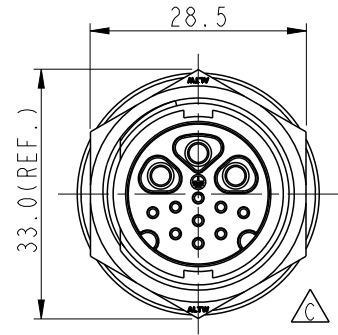
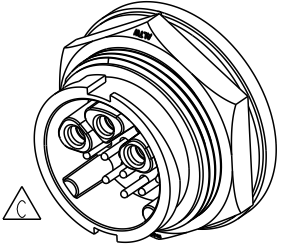
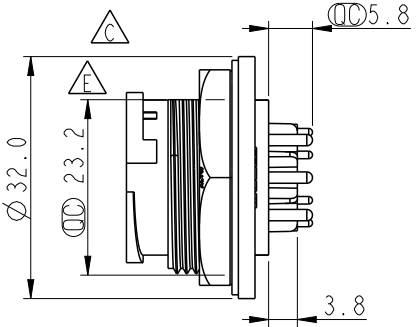


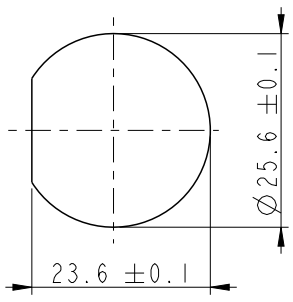
REV.	ECN NO.	DATE	SIGN	DESCRIPTION
C	LEN14C0055	2014/11/19	Sam	Update View&Logo.
D	C190314	2019/03/12	Ruru	Modify Note
E	C211015	2021/06/29	Aber	△E *1



Recommended PCB Lay-out



Pin Assignments Front View



Recommended Panel Cut-Out

- NOTE: △D
- \* (⊕) Important Dimension.
  - \* Waterproof Rate: IP67, Unmated
  - \* Housing: Thermoplastic, Black
  - \* Pin: Copper Alloy, Gold Plated
  - \* Nut: Thermoplastic, Black
  - \* Gasket: Rubber, Black
  - \* Use Waterproof Cap or Dust Cap  
Panel Thickness Max: 3.0mm
  - \* Use without Waterproof Cap or Dust Cap  
Panel Thickness Max: 4.0mm
  - \* Gasket and Nut are packed separately in PE bags.

UNIT: mm		
TOLERANCE		
.X	±0.25	
.XX	±0.1	
.XXX	±0.05	
ANGLES	±1°	

TITLE Panel Connector 3FPin(20A)+9MPin(5A)PCB			
SCALE 1:1	SIZE A4	SHEET 1 OF 1	
REV. E	WC-REV. A.2	⊕: Inspection item	

**Amphenol LTW**  
安費諾亮泰企業股份有限公司

ITEM NO. DCD-12PMDP-LC7001	DRAWN BY Ruru	DATE 2019-03-12
DWG NO. DCD-12PMDP-LC7001	CHECKED BY Rita	DATE 2019-03-12
CUSTOMER ALTW	APPROVED BY Max	DATE 2019-03-12

THIS DOCUMENT IS SUBJECT TO CHANGE WITHOUT NOTICE. IT IS CONFIDENTIAL AND A PROPERTY OF AMPHENOL LTW. DISCLOSURE TO THIRD PARTY HAS TO BE AUTHORIZED BY AMPHENOL LTW.