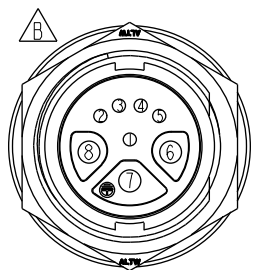
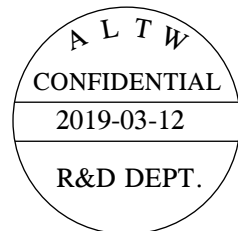
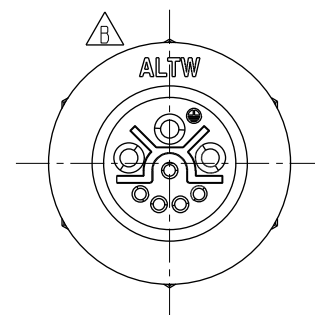
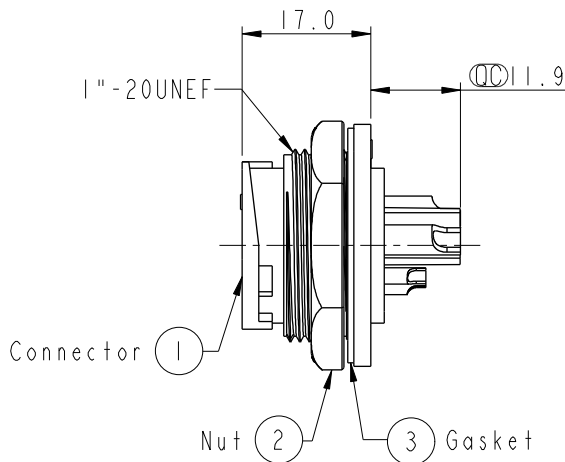
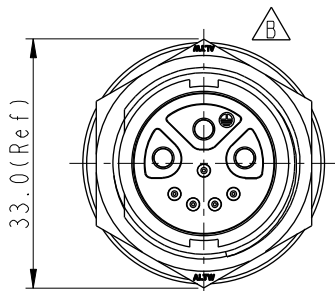
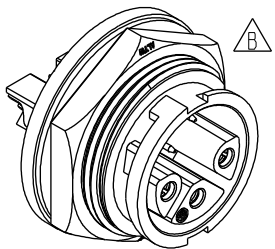
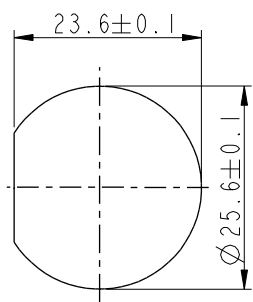


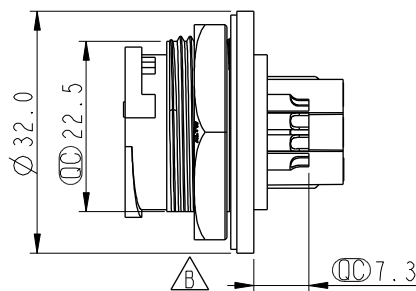
REV.	ECN NO.	DATE	SIGN	DESCRIPTION
B	LEN14C0568	2014/12/19	Sam	Update Logo.
C	CI90314	2019/03/12	Ruru	Modify Note



Pin Assignment Front View



Recommended Panel Cut-Out



- Note:
- * Important Dimension To Check
 - * Waterproof Rate: IP67, Unmated
 - * Housing: Thermoplastic, Black
 - * Pin: Copper Alloy, Gold Plated
 - * Nut: Thermoplastic, Black
 - * Gasket: Rubber, Gray
 - * Use With Waterproof Cap Or Dust Cap Panel Thickness Max.: 3.0mm
 - * Use Without Waterproof Cap Or Dust Cap Panel Thickness Max.: 4.0mm
 - * Gasket and Nut are packed separately in PE bags.

UNIT:mm TOLERANCE .X ±0.25 .XX ±0.1 .XXX ±0.05 ANGLES ±1°	TITLE Panel Connector 3FPin(20A)+5MPin(2A)			Amphenol LTW 安費諾亮泰企業股份有限公司		ITEM NO DCU-08PMDS-LC7001	DRAWN BY Ruru	DATE 2019-03-12
	SCALE 1:1	SIZE A4	SHEET 1 OF 1	DWG NO DCU-08PMDS-LC7001	CHECKED BY Rita	DATE 2019-03-12		
	REV. C	WC-REV. A.4	Inspection item	CUSTOMER ALTW	APPROVED BY Max	DATE 2019-03-12		
								W10814-03-01A2

THIS DOCUMENT IS SUBJECT TO CHANGE WITHOUT NOTICE. IT IS CONFIDENTIAL AND A PROPERTY OF Amphenol LTW. DISCLOSURE TO THIRD PARTY HAS TO BE AUTHORIZED BY Amphenol LTW.