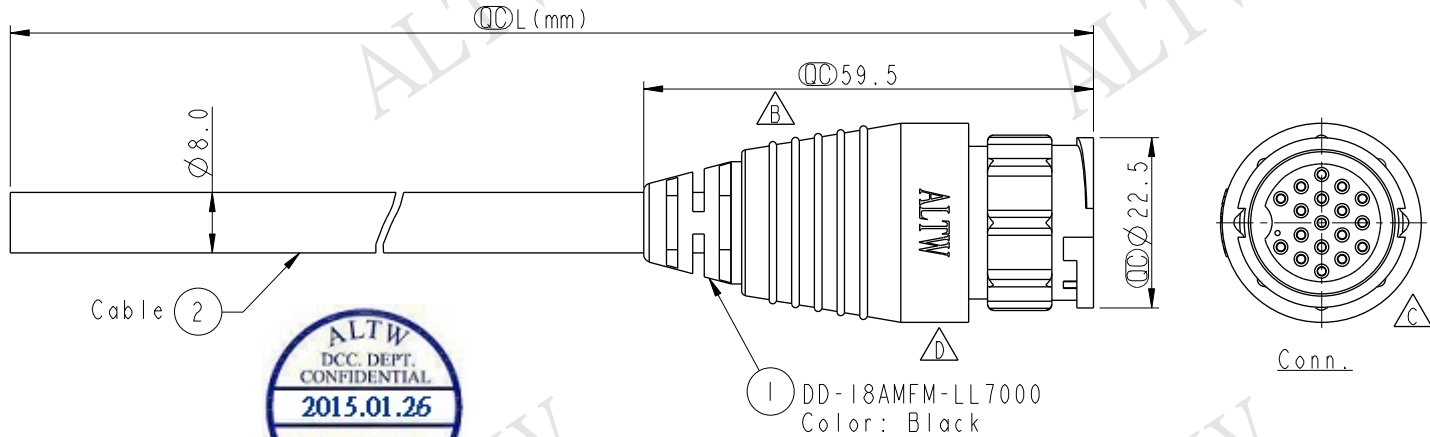
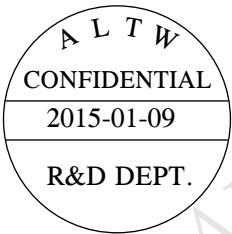


THIS DOCUMENT IS SUBJECT TO CHANGE WITHOUT NOTICE. IT IS CONFIDENTIAL AND A PROPERTY OF AMPHENOL LTW. DISCLOSURE TO THIRD PARTY HAS TO BE AUTHORIZED BY AMPHENOL LTW.

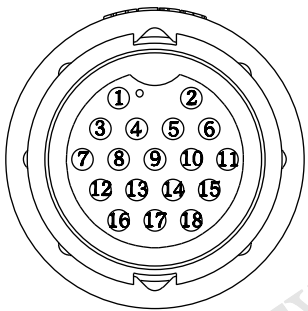
REV.	ECN NO.	DATE	SIGN	DESCRIPTION
B	LEN-760045	2007/06/20	Rommel Vergara	Change Dimension from 61.5 to 59.5
C	LEN-0C0600~603	2010/11/26	Ivan	Change View.
D	LEN1510486~489	2015/01/09	Sam	Update Logo.



DD-18AMFM-LL7AXX

- XX : 01~99Meters
- 01 : 01Meter
- 02 : 02Meters
- ...
- 99 : 99Meters

Cable Length(L): 01~99Meters



Pin Assignments
Front View

Black	黑	9	Blue/White	藍/白	18
Red	紅	8	Green/White	綠/白	17
Pink	粉紅	7	Orange/White	橙/白	16
Gray	灰	6	Red/White	紅/白	15
Yellow	黃	5	Brown/White	棕/白	14
Green	綠	4	Black/White	黑/白	13
White	白	3	Light Green	淺綠	12
Blue	藍	2	Purple	紫	11
Brown	棕	1	Orange	橙	10
Wire Color	Conn.		Wire Color	Conn.	

Pin Out

Note:

- * ϕ Important Dimension To Check.
- * Waterproof Rate: IP67
- * Connector: Nylon+GF, Black.
- * Female Pin: Copper Alloy Gold Plated.
- * Cable: UL2464 24AWG*18C+Drain+AI/My PVC Jacket UV Resistant, OD=8.0, Black.
- * Cable Length Tolerance: 01M: 40mm
02M~05M: ± 60 mm
06M~10M: ± 100 mm
11M~30M: ± 200 mm
31M~99M: ± 500 mm

UNIT: mm	
TOLERANCE	± 0.5 mm

TITLE LARGE CABLE LOCK 18PIN M CONN F PIN			
SCALE 1:1	SIZE A4	SHEET 1 OF 1	
REV. D	WC-REV. A.1	ϕ : Inspection item	

Amphenol LTW
安費諾亮泰企業股份有限公司

ITEM NO	DRAWN BY Sam	DATE 2015-01-09
DWG NO DD-18AMFM-LL7AXX	CHECKED BY Vicky	DATE 2015-01-09
CUSTOMER ALTW	APPROVED BY Rita	DATE 2015-01-09