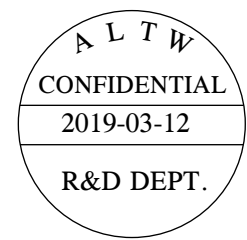
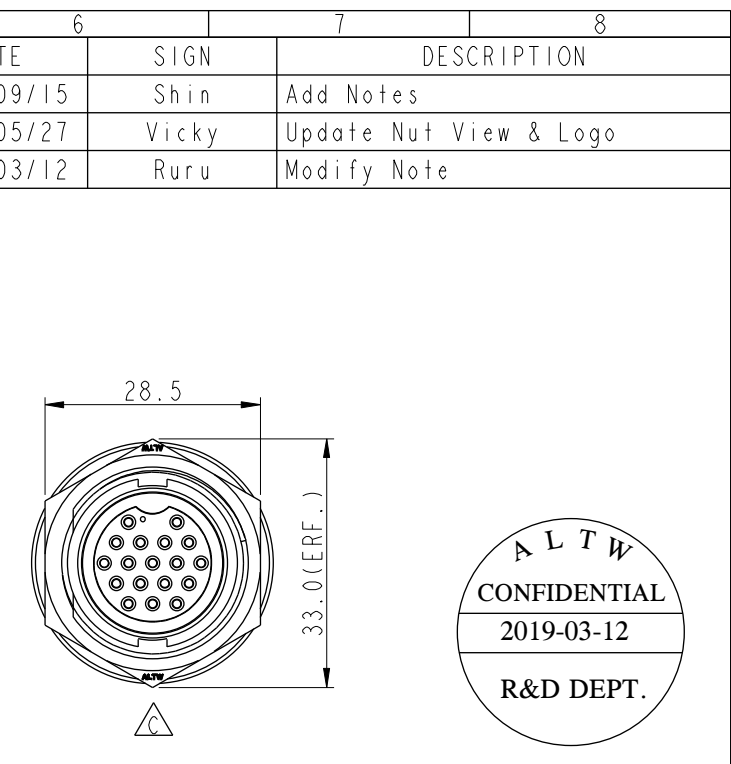
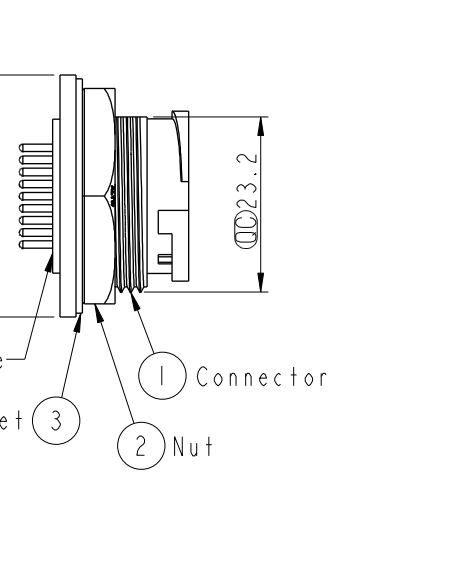
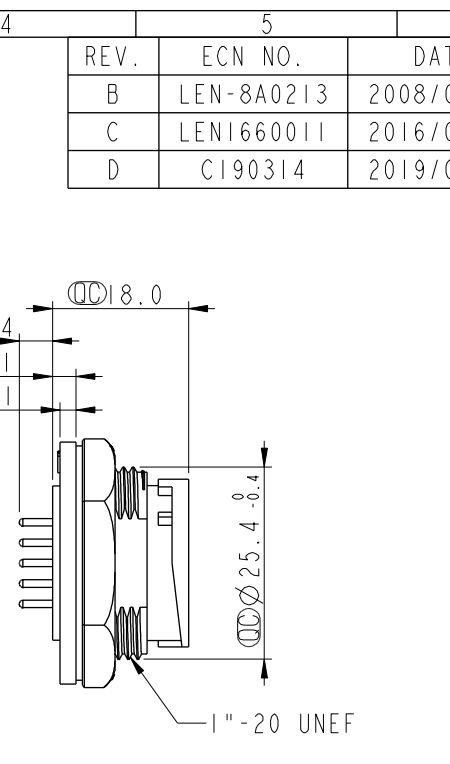
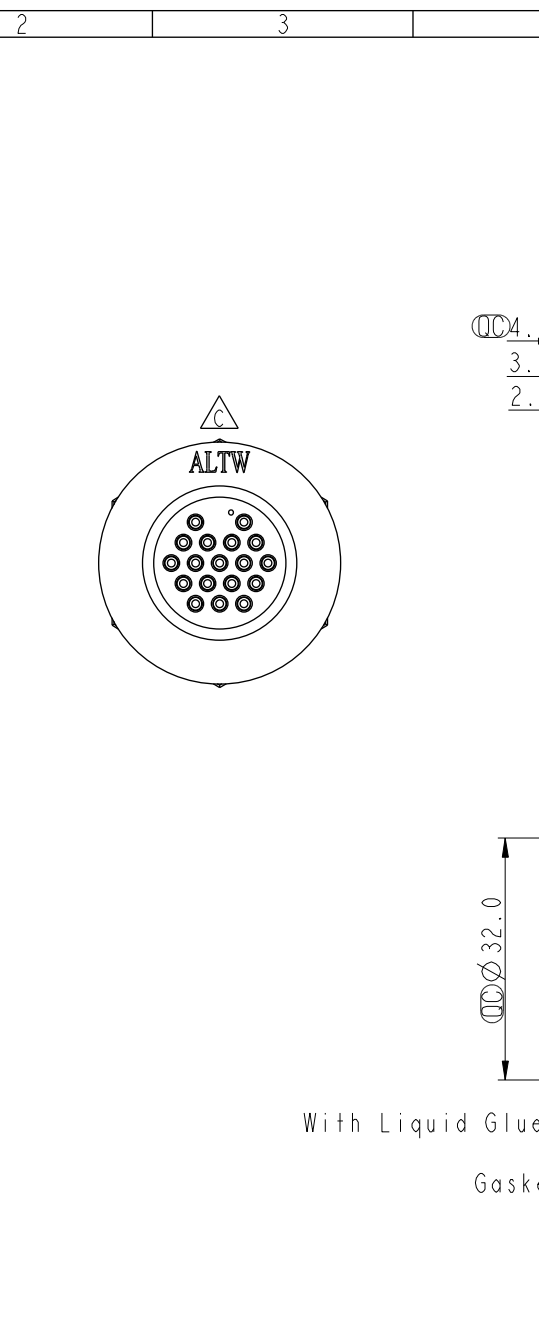
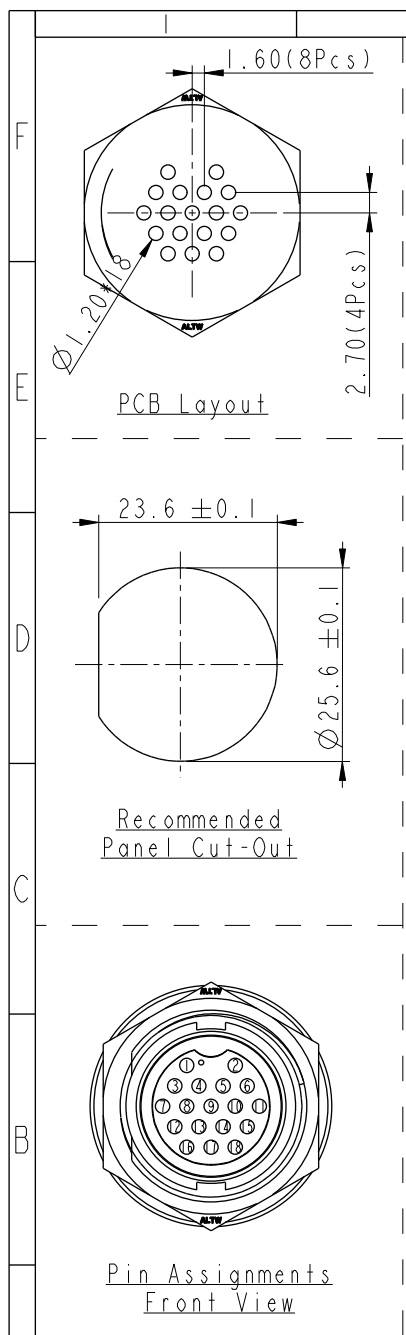


THIS DOCUMENT IS SUBJECT TO CHANGE WITHOUT NOTICE. IT IS CONFIDENTIAL AND A PROPERTY OF AMPHENOL LTW. DISCLOSURE TO THIRD PARTY HAS TO BE AUTHORIZED BY AMPHENOL LTW.

REV.	ECN NO.	DATE	SIGN	DESCRIPTION
B	LEN-8A0213	2008/09/15	Shin	Add Notes
C	LEN1660011	2016/05/27	Vicky	Update Nut View & Logo
D	CI90314	2019/03/12	Ruru	Modify Note



- Note:  $\triangle$
- \*  $\phi$  Important Dimension
  - \* Waterproof Rate: IP67, Unmated
  - \* Housing: Thermoplastic, Black
  - \* Pin: Copper Alloy, Gold Plated
  - \* Nut: Thermoplastic, Black
  - \* Gasket: Rubber, Black
  - $\triangle$  \* Use Waterproof Cap or Dust Cap  
 Panel Thickness Max: 3.0mm
  - $\triangle$  \* Use without Waterproof Cap or Dust Cap  
 Panel Thickness Max: 4.0mm
  - \* Gasket and Nut are packed separately in PE bags.

UNIT:mm	
TOLERANCE	
.X	$\pm 0.25$
.XX	$\pm 0.1$
.XXX	$\pm 0.05$
ANGLES	$\pm 1^\circ$

TITLE Lock Type Connector for Panel Mount 18Pin Male Connector Female Pin			
SCALE 1:1	SIZE A4	SHEET 1 OF 1	
REV. D	WC-REV. A.3	$\phi$ : Inspection item	

**Amphenol LTW**  
 安費諾亮泰企業股份有限公司

ITEM NO. DD-18PMFP-LC7001	DRAWN BY Ruru	DATE 2019-03-12
DWG NO. DD-18PMFP-LC7001	CHECKED BY Rita	DATE 2019-03-12
CUSTOMER ALTW	APPROVED BY Max	DATE 2019-03-12