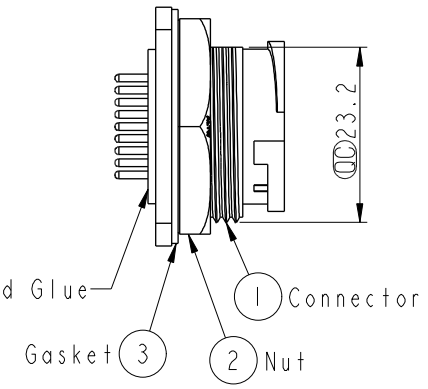
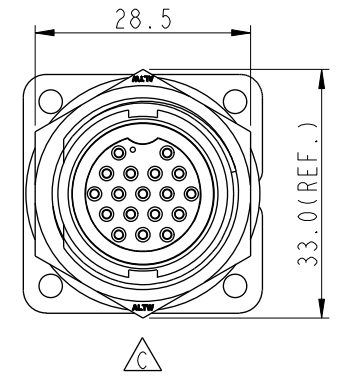
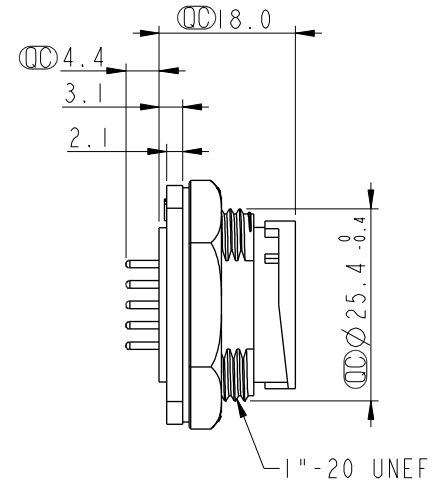
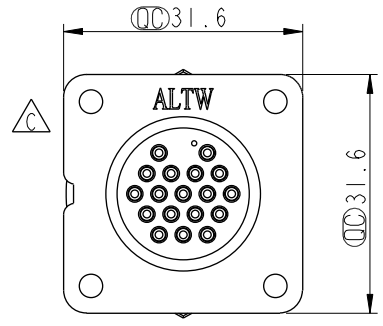
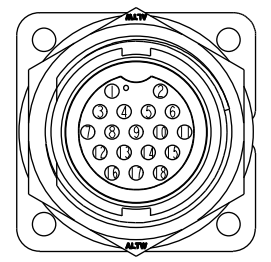
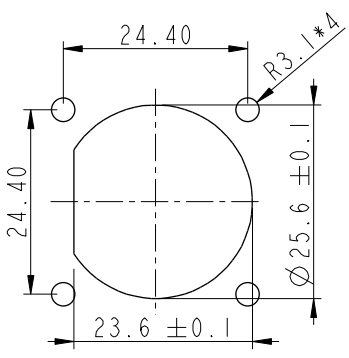
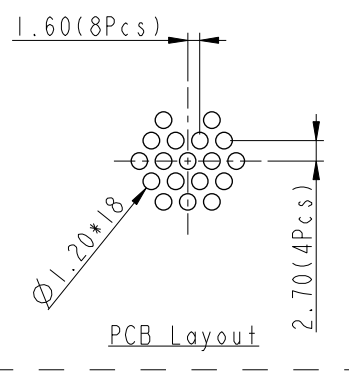


THIS DOCUMENT IS SUBJECT TO CHANGE WITHOUT NOTICE. IT IS CONFIDENTIAL AND A PROPERTY OF AMPHENOL LTW. DISCLOSURE TO THIRD PARTY HAS TO BE AUTHORIZED BY AMPHENOL LTW.

REV.	ECN NO.	DATE	SIGN	DESCRIPTION
B	LEN-8A0214	2008/09/15	Shin	Add Notes
C	LEN1660012	2016/05/27	Vicky	Update Nut View & Logo
D	CI90314	2019/03/12	Ruru	Modify Note



- NOTE:
- \* Important Dimension.
  - \* Waterproof Rate: IP67, Unmated
  - \* Housing: Thermoplastic, Black
  - \* Pin: Copper Alloy, Gold Plated
  - \* Nut: Thermoplastic, Black
  - \* Gasket: Rubber, Black
  - \* Use Waterproof Cap or Dust Cap  
Panel Thickness Max: 3.0mm
  - \* Use without Waterproof Cap or Dust Cap  
Panel Thickness Max: 4.0mm
  - \* Gasket and Nut are packed separately in PE bags.

UNIT:mm		
TOLERANCE	.X ±0.25	
	.XX ±0.1	
	.XXX ±0.05	
ANGLES	±1°	

TITLE Lock Type Connector for Panel Mount 18Pin Male Connector Female Pin			
SCALE 1:1	SIZE A4	SHEET 1 OF 1	
REV. D	WC-REV. A.3	: Inspection item	

**Amphenol LTW**  
安費諾亮泰企業股份有限公司

ITEM NO DD-18PMFP-LS7001	DRAWN BY Ruru	DATE 2019-03-12
DWG NO DD-18PMFP-LS7001	CHECKED BY Rita	DATE 2019-03-12
CUSTOMER ALTW	APPROVED BY Max	DATE 2019-03-12