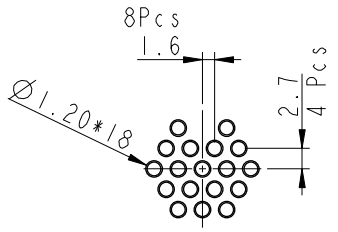
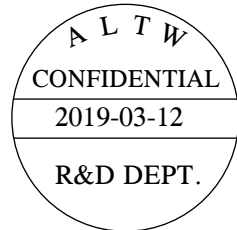
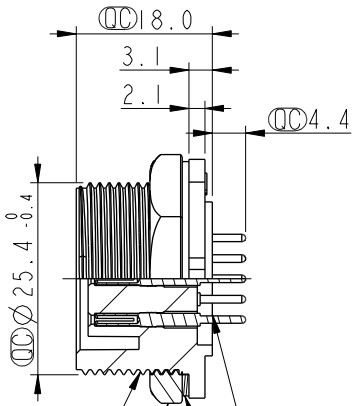
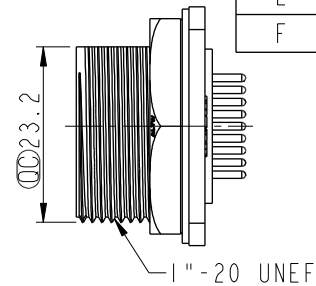


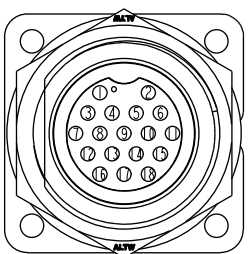
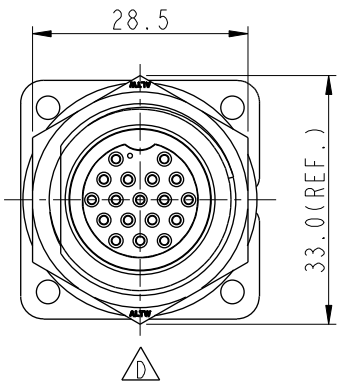
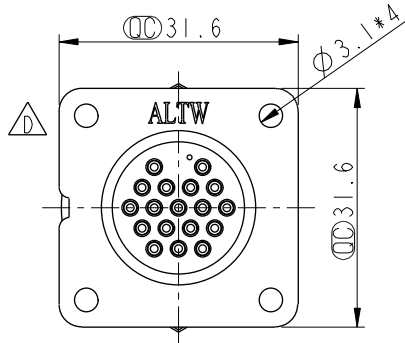
REV.	ECN NO.	DATE	SIGN	DESCRIPTION
D	LEN1660014	2016/05/27	Vicky	Update Nut View & Logo
E	LEN1840059	2018/04/13	Ethan	Modify Panel Thickness
F	CI90314	2019/03/12	Ruru	Modify Note



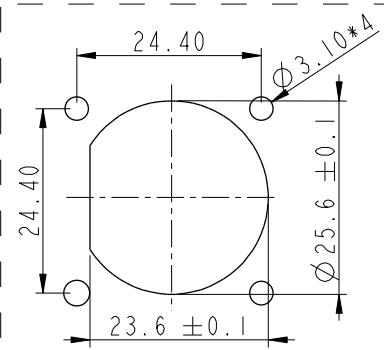
18Pin Male Connector
Female Pin PCB Layout
18Pin 公接頭
PCB挖孔位置尺寸圖



Connector ①
Nut ②
Gasket ③
With Liquid Glue



Pin Assignments
Front View

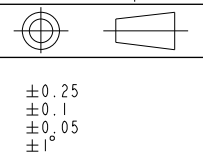


Recommended
Panel Cut-Out

- Note:
- * Important Dimension
 - * Waterproof Rate: IP67, Unmated
 - * Housing: Thermoplastic, Black
 - * Pin: Copper Alloy, Gold Plated
 - * Nut: Thermoplastic, Black
 - * Gasket: Rubber, Black
 - * Use Waterproof Cap or Dust Cap
Panel Thickness Max: 1.8mm
 - * Use without Waterproof Cap or Dust Cap
Panel Thickness Max: 3.0mm
 - * Gasket and Nut are packed separately in PE bags.

UNIT:mm

TOLERANCE	
.X	±0.25
.XX	±0.1
.XXX	±0.05
ANGLES	±1°



TITLE Screw Type Connector For Panel Mount 18Pin Male Connector Female Pin(5A)			
SCALE	SIZE	SHEET	OF
1:1	A4	1	1
REV.	WC-REV.	Inspection item	
F	A.3		

Amphenol LTW
安費諾亮泰企業股份有限公司

ITEM NO	DD-18PMFP-SS7001	DRAWN BY	Ruru	DATE	2019-03-12
DWG NO	DD-18PMFP-SS7001	CHECKED BY	Rita	DATE	2019-03-12
CUSTOMER	ALTW	APPROVED BY	Max	DATE	2019-03-12

THIS DOCUMENT IS SUBJECT TO CHANGE WITHOUT NOTICE. IT IS CONFIDENTIAL AND A PROPERTY OF Amphenol LTW. DISCLOSURE TO THIRD PARTY HAS TO BE AUTHORIZED BY Amphenol LTW.