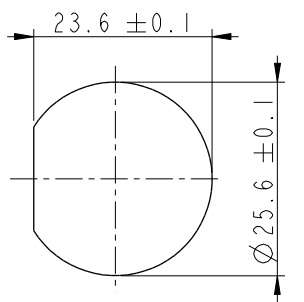
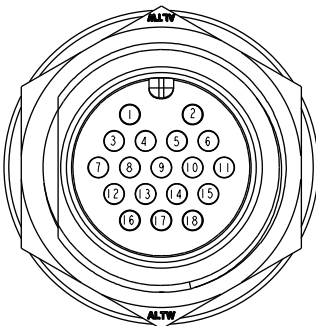
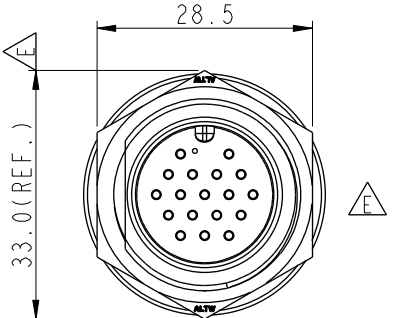
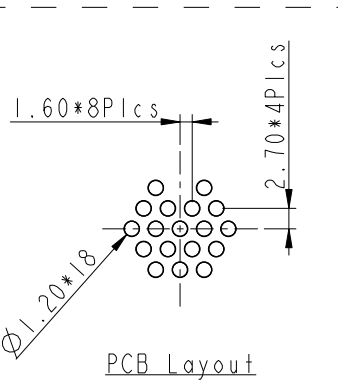
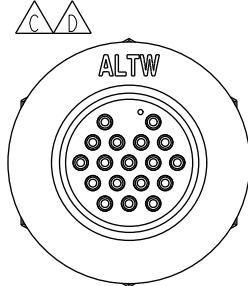
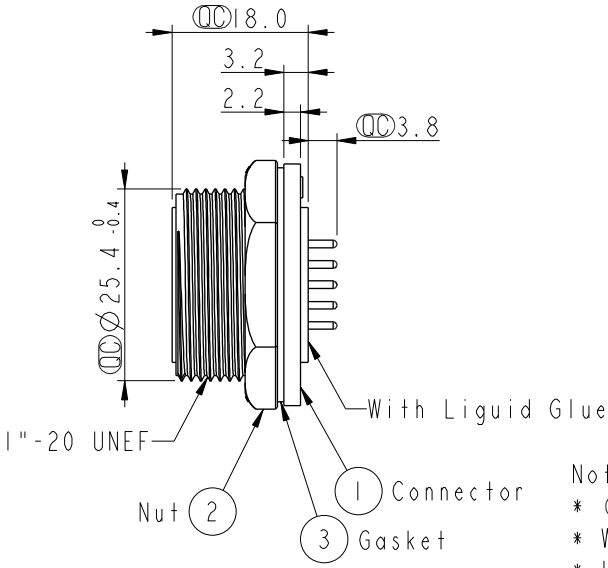
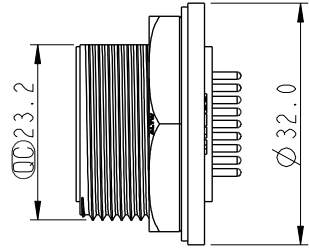


REV.	ECN NO.	DATE	SIGN	DESCRIPTION
E	LEN1660021	2016/05/24	Vicky	Update Nut View
F	LEN1840056	2018/04/13	Ethan	Modify Panel Thickness
G	CI90314	2019/03/13	Ruru	Modify Note

ALTW
CONFIDENTIAL
 2019-03-13
 R&D DEPT.



- Note: $\triangle G$
- * CC Important Dimension
 - * Waterproof Rate: IP67, Unmated
 - * Housing: Thermoplastic, Black
 - * Pin: Copper Alloy, Gold Plated
 - * Nut: Thermoplastic, Black
 - * Gasket: Rubber, Black
 - $\triangle F$ * Use Waterproof Cap or Dust Cap
Panel Thickness Max: 1.8mm
 - $\triangle F$ * Use without Waterproof Cap or Dust Cap
Panel Thickness Max: 3.0mm
 - * Gasket and Nut are packed separately in PE bags.

UNIT:mm TOLERANCE .X ±0.25 .XX ±0.1 .XXX ±0.05 ANGLES ±1°	TITLE 18Pin Male Connector Male Pin(5A)			Amphenol LTW 安費諾亮泰企業股份有限公司		ITEM NO	DRAWN BY	DATE
	SCALE	SIZE	SHEET			OF	DD-18PMMP-SC7001	Ruru
	REV.	WC-REV.	CC : Inspection item		DWG NO	CHECKED BY	DATE	
	G	A.2			DD-18PMMP-SC7001	Rita	2019-03-13	
				CUSTOMER	APPROVED BY	DATE		
				ALTW	Max	2019-03-13		

THIS DOCUMENT IS SUBJECT TO CHANGE WITHOUT NOTICE. IT IS CONFIDENTIAL AND A PROPERTY OF Amphenol LTW. DISCLOSURE TO THIRD PARTY HAS TO BE AUTHORIZED BY Amphenol LTW.