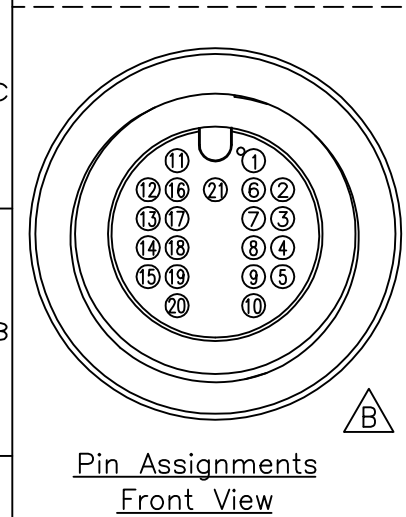
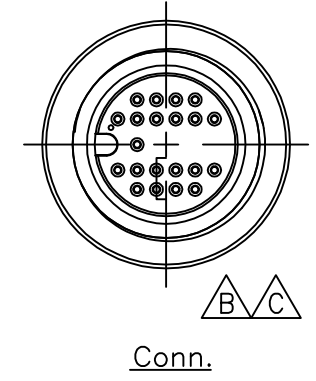
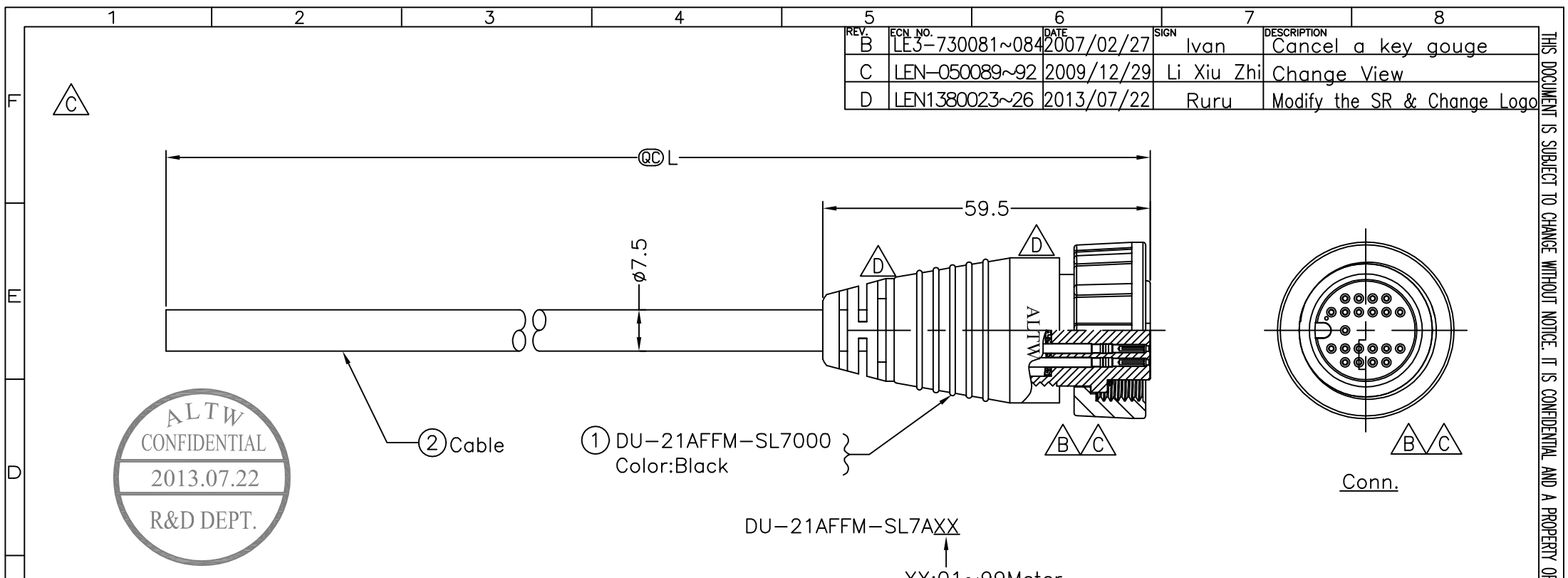
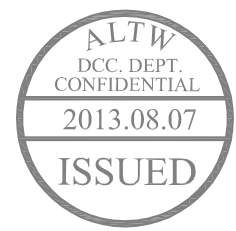


REV.	ECN NO.	DATE	SIGN	DESCRIPTION
B	LE3-730081~084	2007/02/27	Ivan	Cancel a key gouge
C	LEN-050089~92	2009/12/29	Li Xiu Zhi	Change View
D	LEN1380023~26	2013/07/22	Ruru	Modify the SR & Change Logo



Pink 粉紅	11		
White 白	10	Orange/Black 橙/黑	21
Gray 灰	9	Red/Black 紅/黑	20
Purple 紫	8	Purple/White 紫/白	19
Blue 藍	7	Blue/White 藍/白	18
Green 綠	6	Green/White 綠/白	17
Yellow 黃	5	Orange/White 橙/白	16
Orange 橙	4	Red/White 紅/白	15
Red 紅	3	Brown/White 棕/白	14
Brown 棕	2	Black/White 黑/白	13
Black 黑	1	Light Green 淺綠	12
Wire Color	Conn.	Wire Color	Conn.
Pin Out		Pin Out	

DU-21AFFM-SL7AXX
 XX:01~99Meter
 01:01Meter
 02:02Meters
 ...
 99:99Meters
 Cable Length(L):01~99Meters



- Note:
- * @C Important Dimensions To Check.
 - * Waterproof Rate: IP67
 - * Housing: Nylon+GF, Black
 - * Female Pin: Copper Alloy, Gold Plated
 - * O-Ring: EPDM, Black
 - * Screw Nut: Nylon+GF, Black
 - * Cable: UL2464 26AWG*22C+Drain+AL.Mylar PVC Jacket UV Resistant, OD=7.5mm, Black
 - * Cable Length Tolerance:
 - 01M: ±40mm
 - 02M~05M: ±60mm
 - 06M~10M: ±100mm
 - 11M~30M: ±200mm
 - 31M~99M: ±500mm

UNIT:mm		TOLERANCE		TITLE		ITEM NO		DRAWN BY		DATE	
±0.5 mm		Free		Large,Cable Screw 21Pin F Conn F Pin		DU-21AFFM-SL7AXX		Ruru		2013/07/22	
SCALE		SHEET		Amphenol LTW		DWG NO		CHECKED BY		DATE	
Free		1 OF 1		安費諾亮泰企業股份有限公司		DU-21AFFM-SL7AXX		Rita		2013/07/22	
REV.		SIZE		© :Inspection Item		CUSTOMER		APPROVED BY		DATE	
D		A4				ALTW		Maslow		2013/07/22	

THIS DOCUMENT IS SUBJECT TO CHANGE WITHOUT NOTICE. IT IS CONFIDENTIAL AND A PROPERTY OF Amphenol LTW. DISCLOSURE TO THIRD PARTY HAS TO BE AUTHORIZED BY Amphenol LTW.