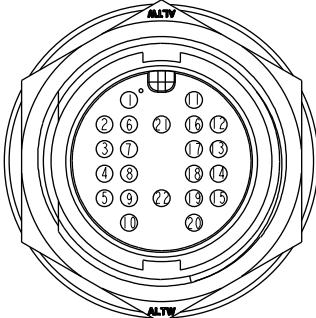
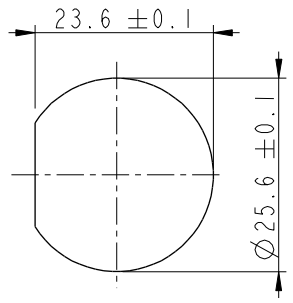


THIS DOCUMENT IS SUBJECT TO CHANGE WITHOUT NOTICE. IT IS CONFIDENTIAL AND A PROPERTY OF Amphenol LTW. DISCLOSURE TO THIRD PARTY HAS TO BE AUTHORIZED BY Amphenol LTW.

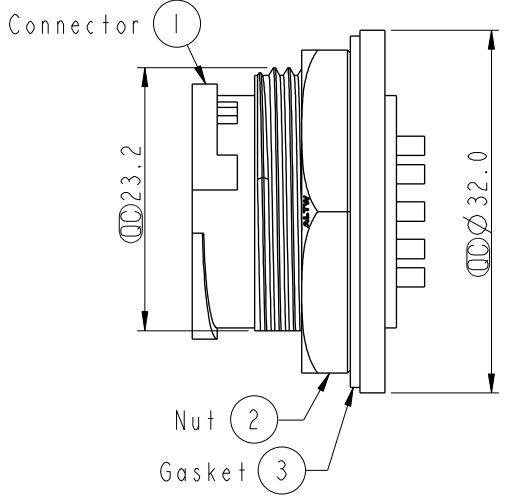
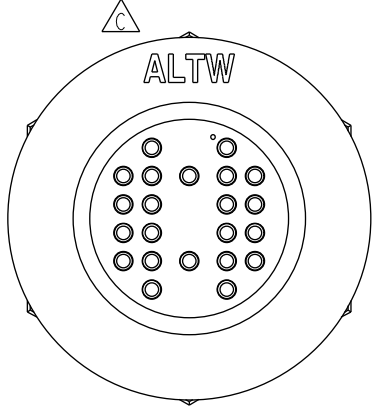
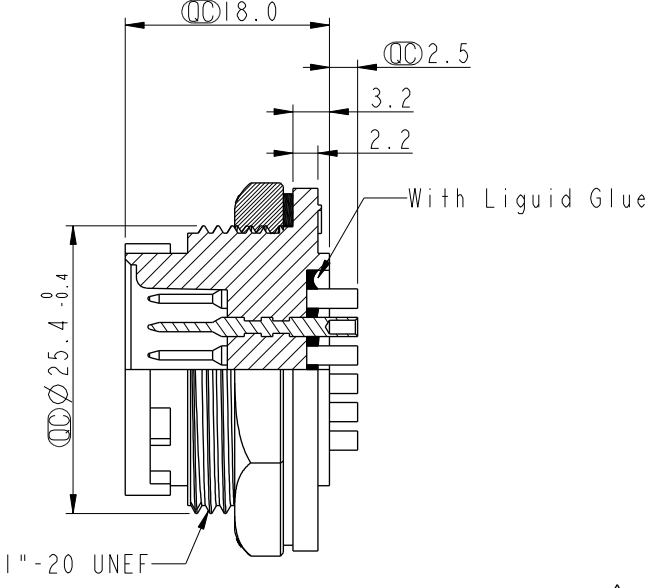
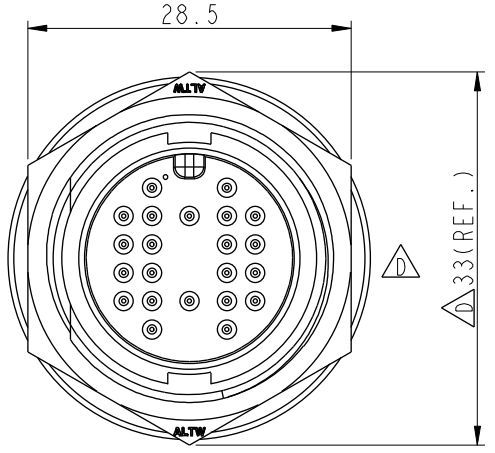
REV.	ECN NO.	DATE	SIGN	DESCRIPTION
C	LEN1510072	2014/12/25	Sam	Update Logo.
D	LEN1650010	2016/04/26	Ruru	Modify Nut View & Logo & Dimension
E	CI90314	2019/03/12	Ruru	Modify Note



Pin Assignments
Front View



Recommended
Panel Cut-Out



- Note: $\triangle A$
- * ⌀ Important Dimension.
 - * Waterproof Rate: IP67, Unmated
 - * Housing: Thermoplastic, Black
 - * Pin: Copper Alloy, Gold Plated
 - * Nut: Thermoplastic, Black
 - * Gasket: Rubber, Black
 - * Liquid Glue: Clear
 - $\triangle A$ * Use Waterproof Cap or Dust Cap
Panel Thickness Max: 3.0mm
 - $\triangle B$ * Use without Waterproof Cap or Dust Cap
Panel Thickness Max: 4.0mm
 - * Gasket and Nut are packed separately in PE bags.

ALTW
CONFIDENTIAL
2019-03-12
R&D DEPT.

UNIT: mm		
TOLERANCE	.X ±0.25	
	.XX ±0.1	
	.XXX ±0.05	
ANGLES	±1°	

TITLE Large, Panel Lock 22Pin M Conn M Pin			
SCALE 1:1	SIZE A4	SHEET 1 OF 1	
REV. E	WC-REV. A.3	⌀ : Inspection item	

Amphenol LTW
安費諾亮泰企業股份有限公司

ITEM NO. DU-22PMMS-LC7001	DRAWN BY Ruru	DATE 2019-03-12
DWG NO. DU-22PMMS-LC7001	CHECKED BY Rita	DATE 2019-03-12
CUSTOMER ALTW	APPROVED BY Max	DATE 2019-03-12