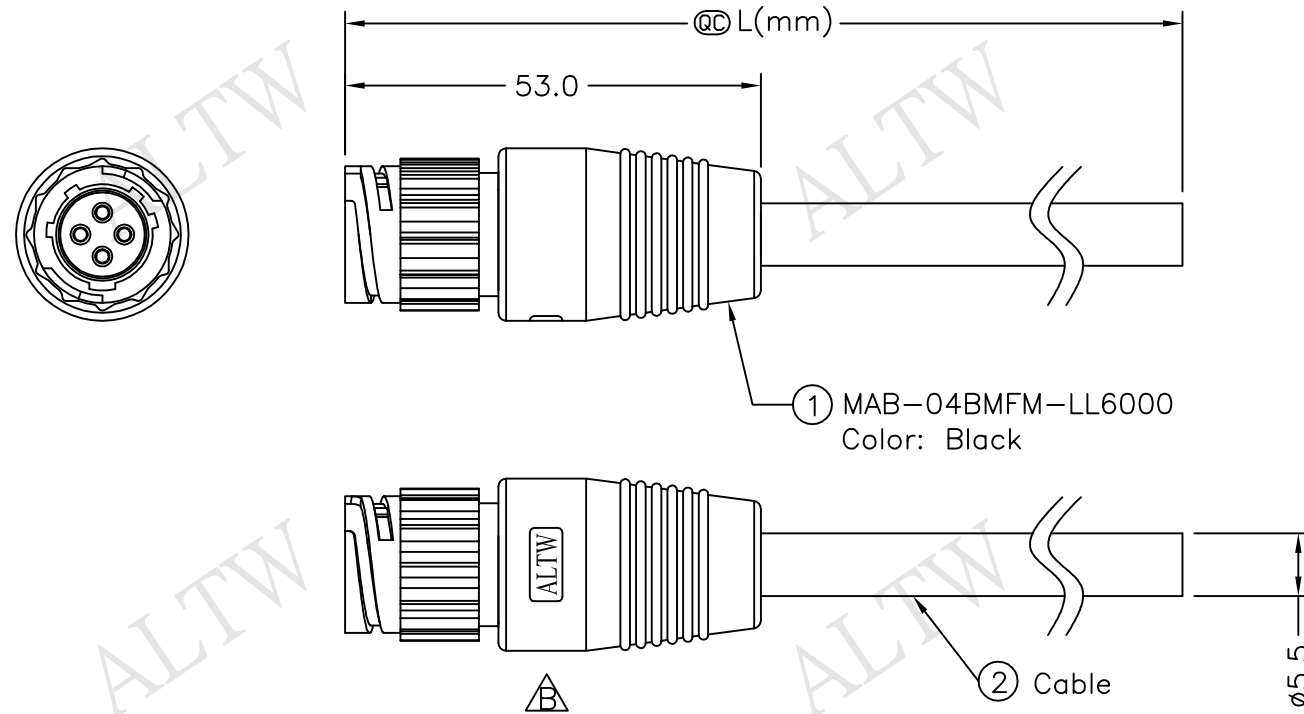


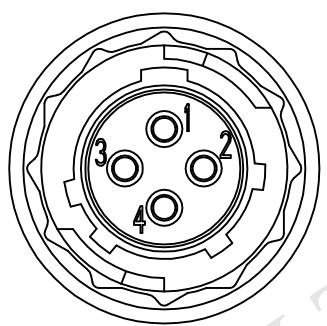
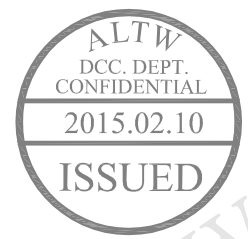
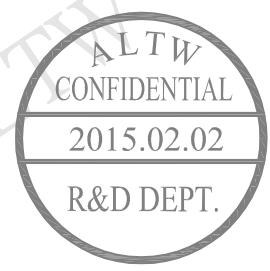
REV.	ECN NO.	DATE	SIGN	DESCRIPTION
A		2012/10/23	Ruru	MAT7-04BMFM-LL6AXX To MAB-04BMFM-LL6AXX
B	LEN1520177~180	2015/02/02	Ruru	Change Logo



① MAB-04BMFM-LL6000  
Color: Black

② Cable

MAB-04BMFM-LL6AXX  
 XX:01~99Meter  
 01:01Meter  
 02:02Meters  
 ...  
 99:99Meters  
 Cable Length(L):01~99Meters



Pin Assignments  
Front View 前視圖

1	Brown (20AWG)	棕
2	Blue (20AWG)	藍
3	Black (20AWG)	黑
4	White (20AWG)	白
Conn.	Wire Color	

Note:

- \* @C Important Dimension
- \* Waterproof Rate: IP66
- \* Housing: Nylon+GF, Black
- \* O-Ring: Silicone, Blue
- \* Female Pin: Copper Alloy, Gold Plated
- \* Cable: UL2464 20AWG\*4C+D+A, OD=5.5mm, Black
- \* Cable Length Tolerance: 01M: ±40mm  
02M~05M: ±60mm  
06M~10M: ±100mm  
11M~30M: ±200mm  
31M~99M: ±500mm

UNIT:mm		TITLE	CABLE 2LOCK 4P M CONN F PIN		ITEM NO	DRAWN BY	DATE
TOLERANCE	±0.5 mm	SCALE	Free	SHEET 1 OF 1	DWG NO	CHECKED BY	DATE
		REV.	B	SIZE A4	MAB-04BMFM-LL6AXX	APPROVED BY	DATE
				@C :Inspection Item	CUSTOMER	Win	2015/02/02
					ALTW		

**Amphenol LTW**  
安費諾亮泰企業股份有限公司

THIS DOCUMENT IS SUBJECT TO CHANGE WITHOUT NOTICE. IT IS CONFIDENTIAL AND A PROPERTY OF Amphenol LTW. DISCLOSURE TO THIRD PARTY HAS TO BE AUTHORIZED BY Amphenol LTW.