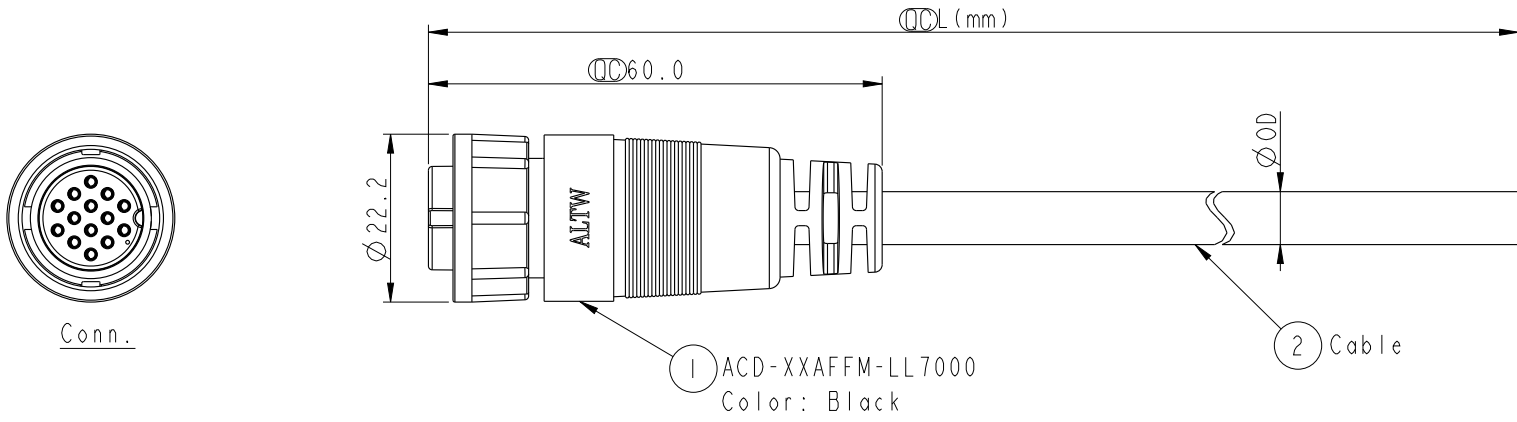


THIS DOCUMENT IS SUBJECT TO CHANGE WITHOUT NOTICE. IT IS CONFIDENTIAL AND A PROPERTY OF AMPHENOL LTW. DISCLOSURE TO THIRD PARTY HAS TO BE AUTHORIZED BY AMPHENOL LTW.

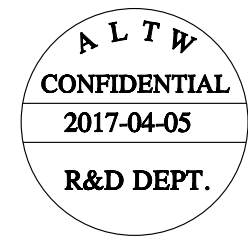
REV.	ECN NO.	DATE	SIGN	DESCRIPTION
B	LEN1740411~17	2017/04/05	Lingpeng	Change The Note



ACD-XXAFFM-LL7AXX
 07: 7Pin
 :
 :
 14: 14Pin

XX : 01~99Meters
 01 : 01Meter
 02 : 02Meters
 :
 :
 99 : 99Meters

Cable Length(L): 01~99Meters



- Note:**
- * \varnothing Important Dimension To Check.
 - * Waterproof Rate: IP67
 - * Housing: Nylon+GF, Black.
 - * Female Pin: Copper Alloy, Gold Plated.
 - * Lock Nut: Nylon+GF, Black
 - * Cable: UL2464 24AWG+Drain+Al/My
PVC Jacket UV Resistant, Black.
 - * Cable Length Tolerance: 01M: 40mm
02M~05M: ±60mm
06M~10M: ±100mm
11M~30M: ±200mm
31M~99M: ±500mm

14P	PVC	7.0	24	ACD-14AFFM-LL7AXX
12P		7.0		ACD-12AFFM-LL7AXX
10P		6.5		ACD-10AFFM-LL7AXX
9P		6.0		ACD-09AFFM-LL7AXX
8P		5.5		ACD-08AFFM-LL7AXX
7P		5.8		ACD-07AFFM-LL7AXX
Contacts	Cable Jacket	Cable OD	AWG	Item No.

UNIT: mm		TITLE MIDDLE CABLE LOCK F CONN F PIN		
TOLERANCE	± 0.5	SCALE 1:1	SIZE A4	SHEET 1 OF 2
REV.	B	WC-REV.	A.1	\varnothing : Inspection item

Amphenol LTW
 安費諾亮泰企業股份有限公司

ITEM NO.	DRAWN BY	DATE
	Lingpeng	2017-04-05
DWG NO.	CHECKED BY	DATE
ACD-XXAFFM-LL7AXX	Jinhai	2017-04-05
CUSTOMER	APPROVED BY	DATE
ALTW	Jerry	2017-04-05

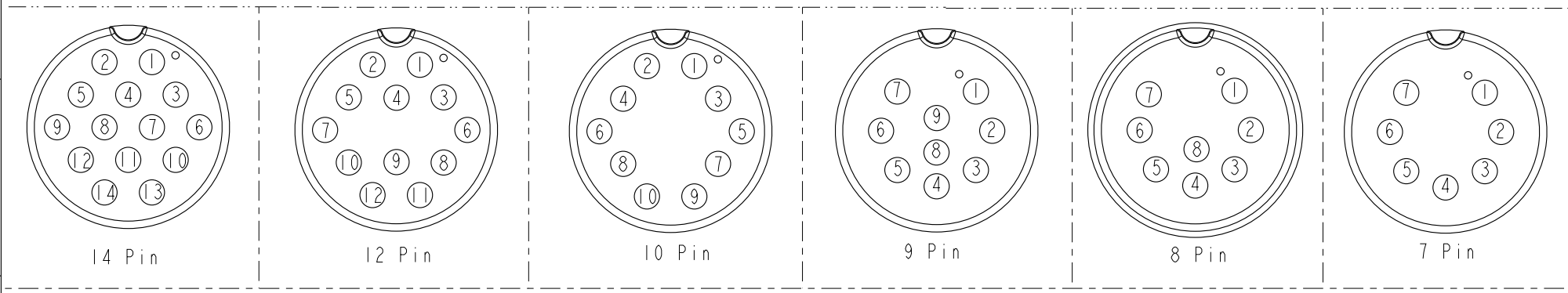
THIS DOCUMENT IS SUBJECT TO CHANGE WITHOUT NOTICE. IT IS CONFIDENTIAL AND A PROPERTY OF Amphenol LTW. DISCLOSURE TO THIRD PARTY HAS TO BE AUTHORIZED BY Amphenol LTW.

REV.	ECN NO.	DATE	SIGN	DESCRIPTION
B	*	2017/04/05	Lingpeng	Change The Note



14 Brown/White 棕/白 13 Black/White 黑/白 12 Light Green 淺綠 11 Purple 紫 10 Orange 橙 9 Black 黑 8 Red 紅 7 Pink 粉紅 6 Gray 灰 5 Yellow 黃 4 Green 綠 3 White 白 2 Blue 藍 1 Brown 棕	12 Light Green 淺綠 11 Purple 紫 10 Orange 橙 9 Black 黑 8 Red 紅 7 Pink 粉紅 6 Gray 灰 5 Yellow 黃 4 Green 綠 3 White 白 2 Blue 藍 1 Brown 棕	10 Orange 橙 9 Black 黑 8 Red 紅 7 Pink 粉紅 6 Gray 灰 5 Yellow 黃 4 Green 綠 3 White 白 2 Blue 藍 1 Brown 棕	9 Black 黑 8 Red 紅 7 Pink 粉紅 6 Gray 灰 5 Yellow 黃 4 Green 綠 3 White 白 2 Blue 藍 1 Brown 棕	8 Green 綠 7 Yellow 黃 6 Orange 橙 5 Red 紅 4 Blue 藍 3 White 白 2 Brown 棕 1 Black 黑	7 White 白 6 Green 綠 5 Brown 棕 4 Red 紅 3 Yellow 黃 2 Orange 橙 1 Blue 藍
Pin # Wire	Pin # Wire	Pin # Wire	Pin # Wire	Pin # Wire	Pin # Wire

Pin Out



Pin Assignments Front View

UNIT:mm		TITLE MIDDLE CABLE LOCK F CONN F PIN		<h1>Amphenol LTW</h1> 安費諾亮泰企業股份有限公司	ITEM NO	DRAWN BY Lingpeng	DATE 2017-04-05	
		SCALE 1:1	SIZE A4		SHEET 2 OF 2	DWG NO ACD-XXAFFM-LL7AXX	CHECKED BY Jinhai	DATE 2017-04-05
		REV. B	WC-REV. A.1		QC: Inspection item	CUSTOMER ALTW	APPROVED BY Jerry	DATE 2017-04-05