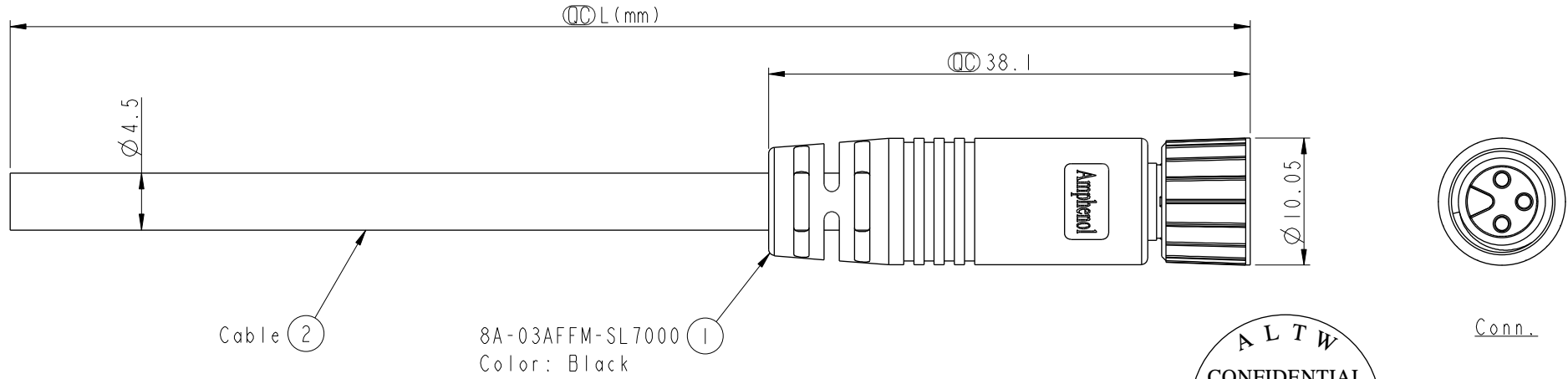
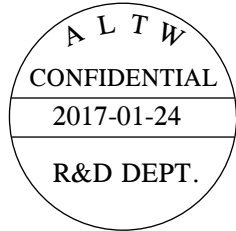


THIS DOCUMENT IS SUBJECT TO CHANGE WITHOUT NOTICE. IT IS CONFIDENTIAL AND A PROPERTY OF Amphenol LTW. DISCLOSURE TO THIRD PARTY HAS TO BE AUTHORIZED BY Amphenol LTW.

REV.	ECN NO.	DATE	SIGN	DESCRIPTION
B	LEN1720001-002	2017/01/24	Vicky	Update Note



Cable ② 8A-03AFFM-SL7000 ①
Color: Black



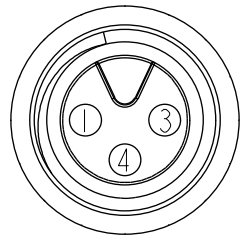
Conn.

8A-03AFFM-SL7BXX
 XX: 01~99Meters
 01: 01Meter
 02: 02Meter

 99: 99Meters
 Cable Length(L): 01~99Meters



- Note:
- * Ⓞ Important Dimension.
 - * Waterproof Rate: IP67.
 - * Connector: PU, Black.
 - * Female Pin: Copper Alloy, Gold Plated.
 - * Screw Nut: Zinc Alloy, Nickel Plated.
 - * O-Ring: Viton, Green.
 - * Cable: 22AWG*3C+Talcum, PU Jacket, OD=4.5, Black.
 - * Cable Length Tolerance: 01M: ±40mm
 02~05M: ±60mm
 06~10M: ±100mm
 11~30M: ±200mm
 31~99M: ±500mm



Pin Assignments Front View

4	Black	黑
3	Blue	藍
1	Brown	棕
Conn.	Wire Color	
	Pin Out	

UNIT:mm		TITLE	M8 3Pin Cable F Conn F Pin		
TOLERANCE	±0.5 mm	SCALE	2:1	SIZE	A4
		REV.	B	WC-REV.	A.1
				Ⓞ	Inspection item

Amphenol LTW
安費諾亮泰企業股份有限公司

ITEM NO	DRAWN BY	DATE
	Vicky	2017-01-24
DWG NO	CHECKED BY	DATE
8A-03AFFM-SL7BXX	Rita	2017-01-24
CUSTOMER	APPROVED BY	DATE
ALTW	Max	2017-01-24