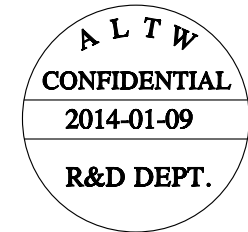
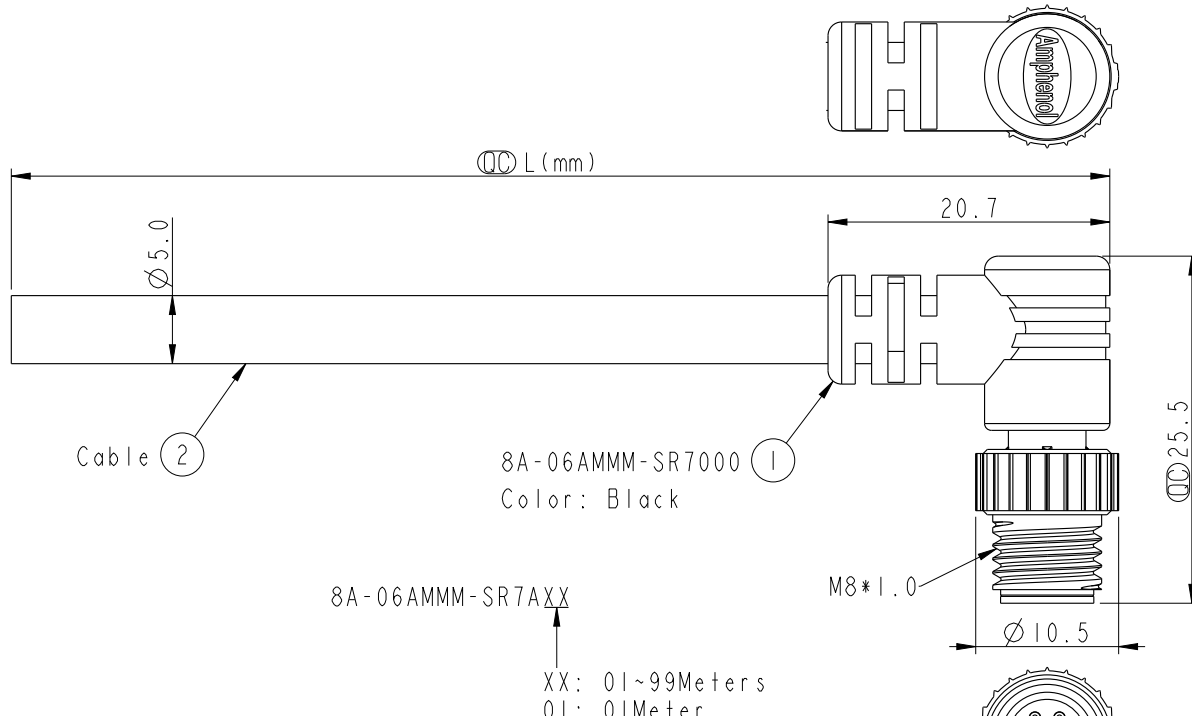


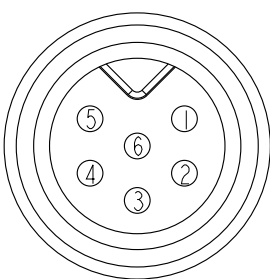


REV.	ECN NO.	DATE	SIGN	DESCRIPTION



8A-06AMMM-SR7000 (1)
Color: Black

8A-06AMMM-SR7AXX
XX: 01~99Meters
01: 01Meter
02: 02Meter
:
:
:
99: 99Meters
Cable Length(L): 01~99Meters



Pin	Color	Wire Color
6	Green 綠	
5	Yellow 黃	
4	Orange 橘	
3	Red 紅	
2	Brown 棕	
1	Black 黑	
Conn.	Wire Color	

Note:

- * \varnothing Important Dimension.
- * Waterproof Rate: IP67.
- * Connector: PU, Black.
- * Male Pin: Copper Alloy, Gold Plated.
- * Screw Nut: Zinc Alloy, Nickel Plated.
- * Cable: UL2464 24AWG*6C+AI/Mylar, PVC Jacket, UV Resistant, OD=5.0, Black.
- * Cable Length Tolerance: 01M: ± 40 mm
02~05M: ± 60 mm
06~10M: ± 100 mm
11~30M: ± 200 mm
31~99M: ± 500 mm

UNIT:mm TOLERANCE ± 0.5 mm	TITLE M8 6Pin Cable M Conn. M Pin			ITEM NO		DRAWN BY Mila		DATE 2014-01-09	
	SCALE 9:5	SIZE A4	SHEET 1	OF 1	DWG NO 8A-06AMMM-SR7AXX		CHECKED BY Jimmy		DATE 2014-01-09
	REV. A	WC-REV. A.4	\varnothing : Inspection item		CUSTOMER ALTW		APPROVED BY Jerry		DATE 2014-01-09
<h1 style="text-align: center;">Amphenol LTW</h1> <p style="text-align: center;">安費諾亮泰企業股份有限公司</p>				<small>THIS DOCUMENT IS SUBJECT TO CHANGE WITHOUT NOTICE. IT IS CONFIDENTIAL AND A PROPERTY OF Amphenol LTW. DISCLOSURE TO THIRD PARTY HAS TO BE AUTHORIZED BY Amphenol LTW.</small>					