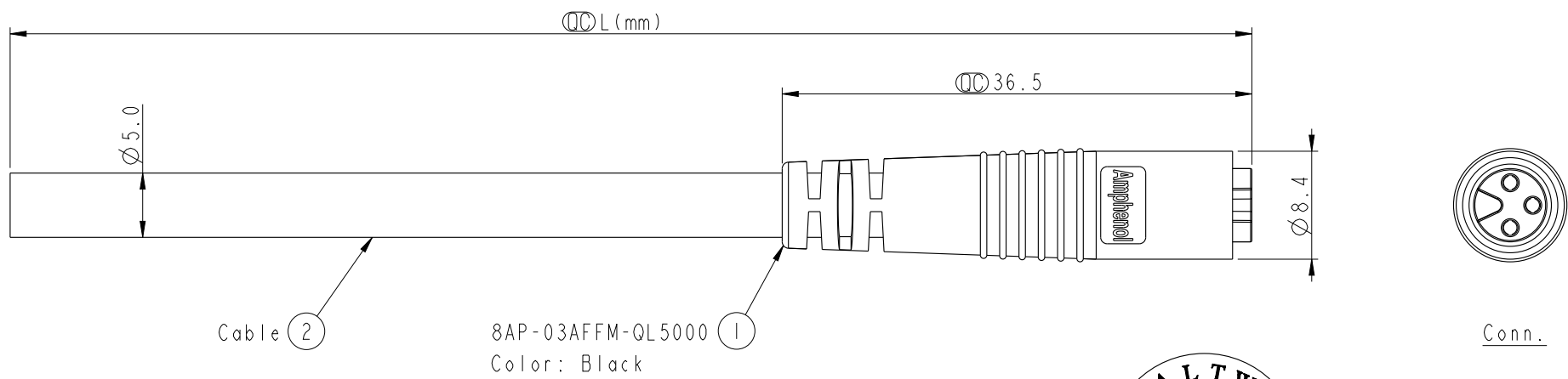
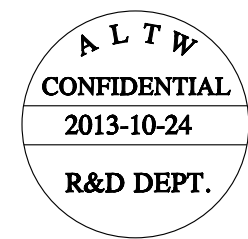


THIS DOCUMENT IS SUBJECT TO CHANGE WITHOUT NOTICE. IT IS CONFIDENTIAL AND A PROPERTY OF Amphenol LTW. DISCLOSURE TO THIRD PARTY HAS TO BE AUTHORIZED BY Amphenol LTW.

REV.	ECN NO.	DATE	SIGN	DESCRIPTION

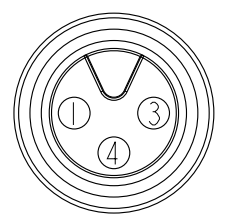
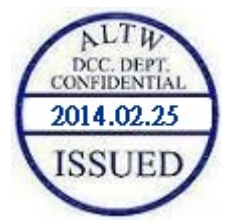


8AP-03AFFM-QL5000 ①
Color: Black



8AP-03AFFM-QL5AXX
 XX: 01~99Meters
 01: 01Meter
 02: 02Meter
 ...
 99: 99Meters
 Cable Length(L): 01~99Meters

- Note:
- * Ⓞ Important Dimension.
 - * Waterproof Rate: IP65.
 - * Connector: PU, Black.
 - * Female Pin: Copper Alloy, Gold Plated.
 - * Cable: UL2464 22AWG*3C+Talcum, PVC Jacket, UV Resistant, OD=5.0, Black.
 - * Cable Length Tolerance: 01M: ±40mm
 02~05M: ±60mm
 06~10M: ±100mm
 11~30M: ±200mm
 31~99M: ±500mm



Pin Assignments Front View

Pin	Wire Color	Pin Out
4	Black 黑	
3	Blue 藍	
1	Brown 棕	
Conn.	Wire Color	Pin Out

UNIT:mm
 TOLERANCE ±0.5 mm

TITLE M8 3Pin Cable F Conn. F Pin			
SCALE 2:1	SIZE A4	SHEET 1 OF 1	
REV. A	WC-REV. A.1	Ⓞ: Inspection item	

Amphenol LTW
 安費諾亮泰企業股份有限公司

ITEM NO	DRAWN BY Tony_leng	DATE 2013-10-24
DWG NO 8AP-03AFFM-QL5AXX	CHECKED BY Jimmy	DATE 2013-10-24
CUSTOMER ALTW	APPROVED BY Jerry	DATE 2013-10-24