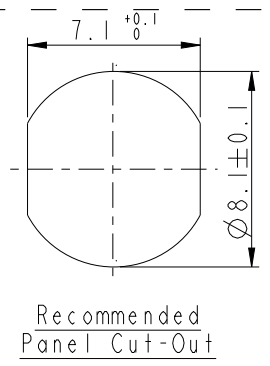
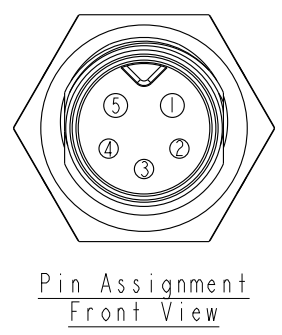
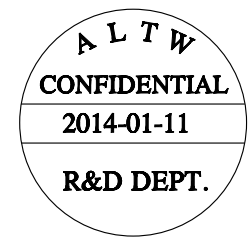
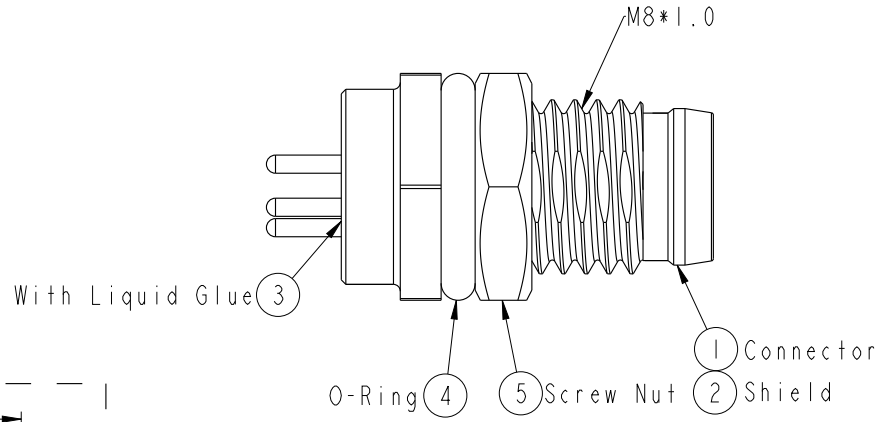
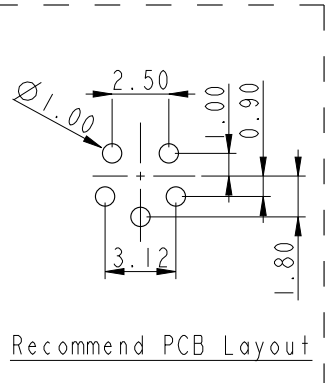
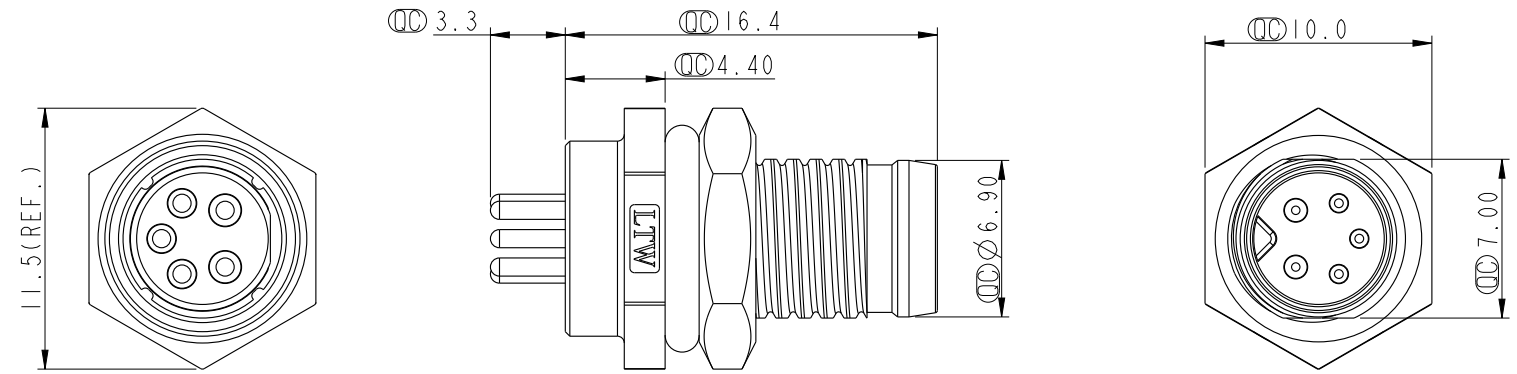


THIS DOCUMENT IS SUBJECT TO CHANGE WITHOUT NOTICE. IT IS CONFIDENTIAL AND A PROPERTY OF Amphenol LTW. DISCLOSURE TO THIRD PARTY HAS TO BE AUTHORIZED BY Amphenol LTW.

REV.	ECN NO.	DATE	SIGN	DESCRIPTION



- Note:
- \* ⌀ Important Dimension.
  - \* Waterproof Rate: IP67.
  - \* Housing: Nylon+GF, Black.
  - \* Male Pin: Copper Alloy, Gold Plated.
  - \* Shield: Zinc Alloy, Nickel Plated.
  - \* Screw Nut: Copper Alloy, Nickel Plated.
  - \* O-Ring: EPDM, Black.
  - \* For Panel Thickness Max 3.0mm.
  - \* Nut Torque: 4~6 kgf.cm.

UNIT:mm		TITLE M8 5Pin Panel M Conn. M Pin			ITEM NO 8H-05PMMP-SF7001	DRAWN BY Mila	DATE 2014-01-11						
		TOLERANCE .X ±0.25 .XX ±0.1 .XXX ±0.05 ANGLES ±1°	SCALE 3:1	SIZE A4	SHEET 1 OF 1	DWG NO 8H-05PMMP-SF7001	CHECKED BY Jimmy	DATE 2014-01-11					
REV. A		WC-REV. A.4	Inspection item	CUSTOMER ALTW		APPROVED BY Jerry	DATE 2014-01-11						
<h1 style="text-align: center;">Amphenol LTW</h1> <p style="text-align: center;">安費諾亮泰企業股份有限公司</p>				<table border="1" style="width: 100%;"> <tr> <td>DATE</td> <td>2014-01-11</td> </tr> <tr> <td>DATE</td> <td>2014-01-11</td> </tr> <tr> <td>DATE</td> <td>2014-01-11</td> </tr> </table>				DATE	2014-01-11	DATE	2014-01-11	DATE	2014-01-11
DATE	2014-01-11												
DATE	2014-01-11												
DATE	2014-01-11												