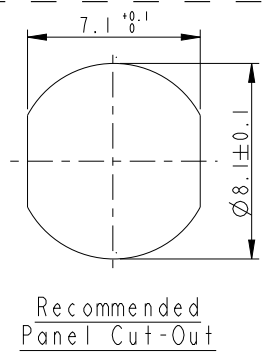
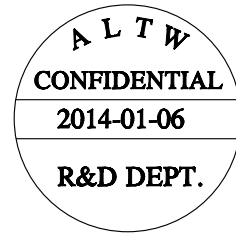
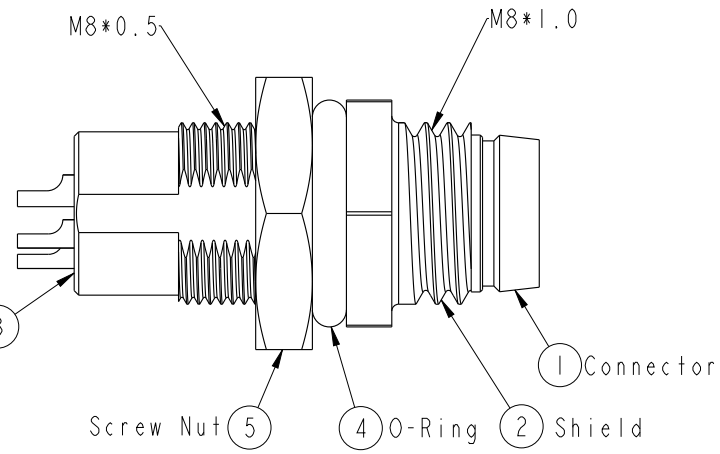
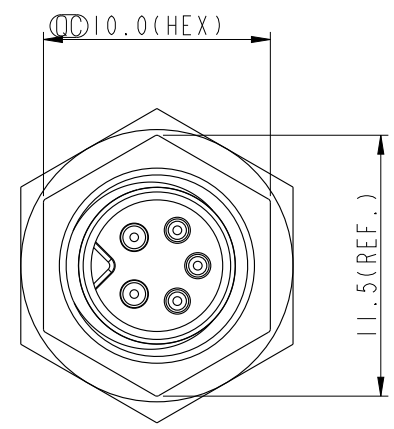
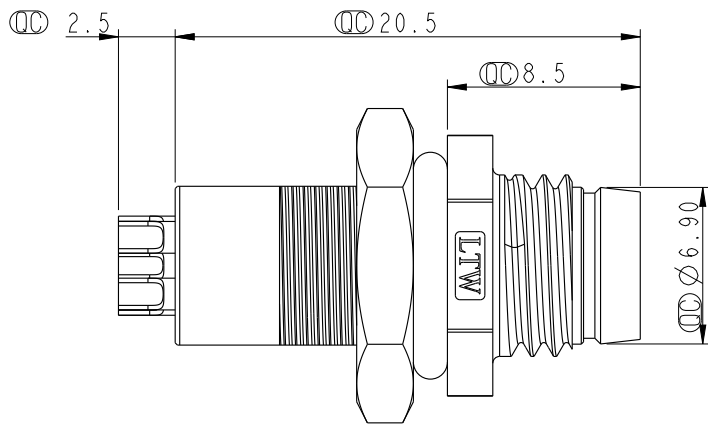
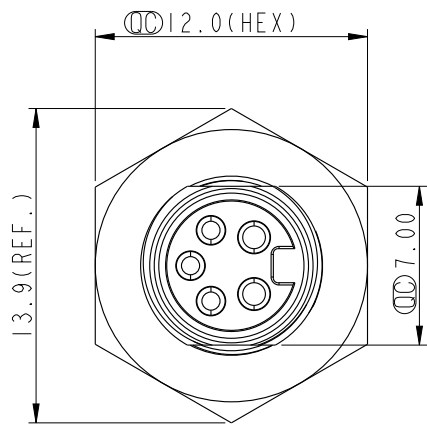


REV.	ECN NO.	DATE	SIGN	DESCRIPTION



- Note:
- \*  $\varnothing$  Important Dimension.
  - \* Waterproof Rate: IP67.
  - \* Housing: Nylon+GF, Black.
  - \* Male Pin: Copper Alloy, Gold Plated.
  - \* Shield: Zinc Alloy, Nickel Plated.
  - \* Screw Nut: Copper Alloy, Nickel Plated.
  - \* O-Ring: EPDM, Black.
  - \* For Panel Thickness Max 3.5mm.
  - \* Nut Torque: 4-6 kgf.cm.

UNIT: mm TOLERANCE .X ±0.25 .XX ±0.1 .XXX ±0.05 ANGLES ±1°	TITLE <b>M8 5Pin Panel M Conn. M Pin</b>		<b>Amphenol LTW</b> <b>安費諾亮泰企業股份有限公司</b>		ITEM NO 8H-05PMMS-SH7001	DRAWN BY Mila	DATE 2014-01-06
	SCALE 3:1	SIZE A4			SHEET 1 OF 1	DWG NO 8H-05PMMS-SH7001	CHECKED BY Jimmy
	REV. A	WC-REV. A.1	$\varnothing$ : Inspection item	CUSTOMER ALTW	APPROVED BY Jerry	DATE 2014-01-06	

THIS DOCUMENT IS SUBJECT TO CHANGE WITHOUT NOTICE. IT IS CONFIDENTIAL AND A PROPERTY OF Amphenol LTW. DISCLOSURE TO THIRD PARTY HAS TO BE AUTHORIZED BY Amphenol LTW.