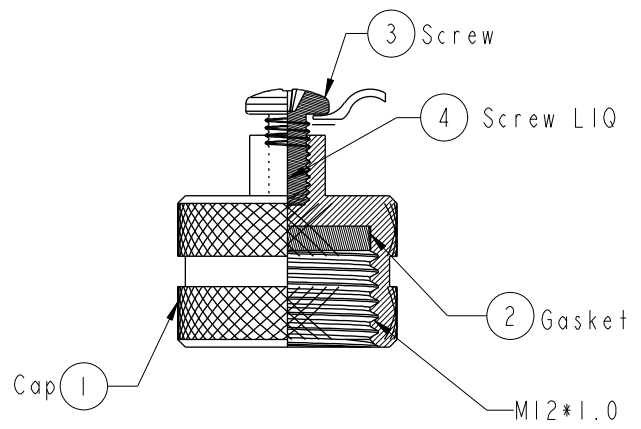
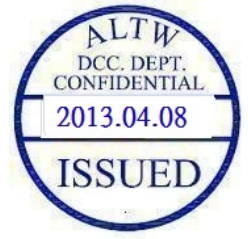
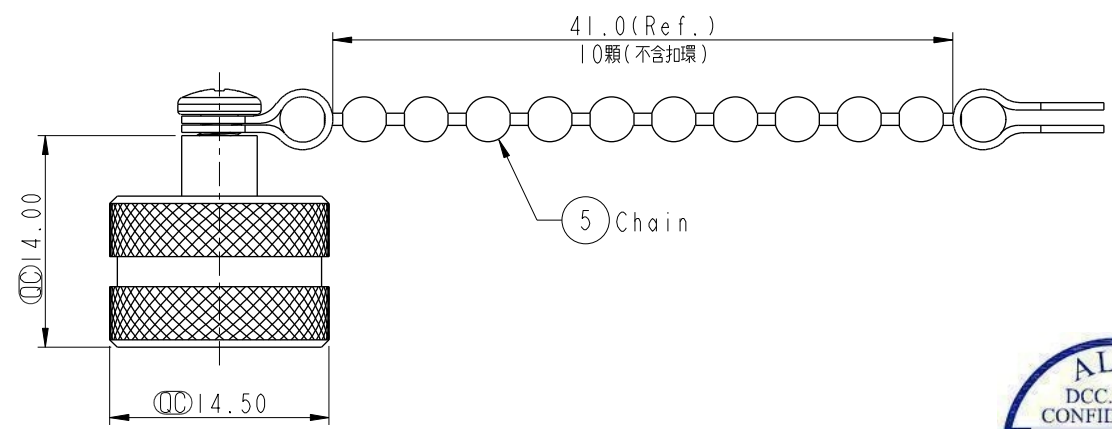
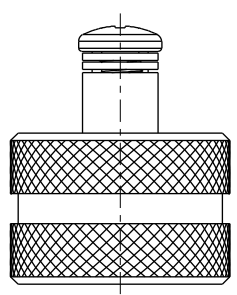


REV.	ECN NO.	DATE	SIGN	DESCRIPTION
A	Initial Release	2013/04/08	Vicky	Old Item No. CAP-WBDPMSBI



- Note:
- * \varnothing Important Dimension.
 - * Waterproof Rate: IP67.
 - * Cap: Brass, Nickel Plated.
 - * Gasket: EPDM, Black.
 - * Screw: M3.0*6L 不銹鋼.
 - * M3 螺絲孔需點 4 螺絲固定劑.
 - * 螺絲鎖合扭力值 3~4 Kgf.cm

UNIT: mm		
TOLERANCE	.X ±0.25	
	.XX ±0.1	
	.XXX ±0.05	
ANGLES	±1°	

TITLE Cap (For M12 Male With Chain) M12 Screw For M Conn Chain			
SCALE 2:1	SIZE A4	SHEET 1 OF 1	
REV. A	WC-REV. A.1	\varnothing : Inspection item	

Amphenol LTW
安費諾亮泰企業股份有限公司

ITEM NO. CAP-WBDMSPB2	DRAWN BY Vicky	DATE 2013-04-08
DWG NO. CAP-WBDMSPB2	CHECKED BY Rita	DATE 2013-04-08
CUSTOMER ALTW	APPROVED BY Maslow	DATE 2013-04-08

THIS DOCUMENT IS SUBJECT TO CHANGE WITHOUT NOTICE. IT IS CONFIDENTIAL AND A PROPERTY OF Amphenol LTW. DISCLOSURE TO THIRD PARTY HAS TO BE AUTHORIZED BY Amphenol LTW.