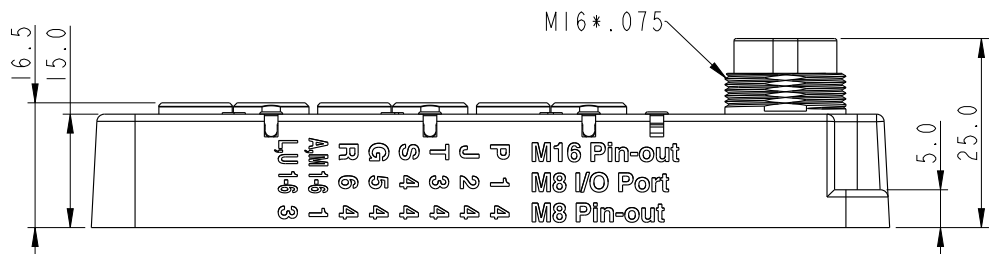
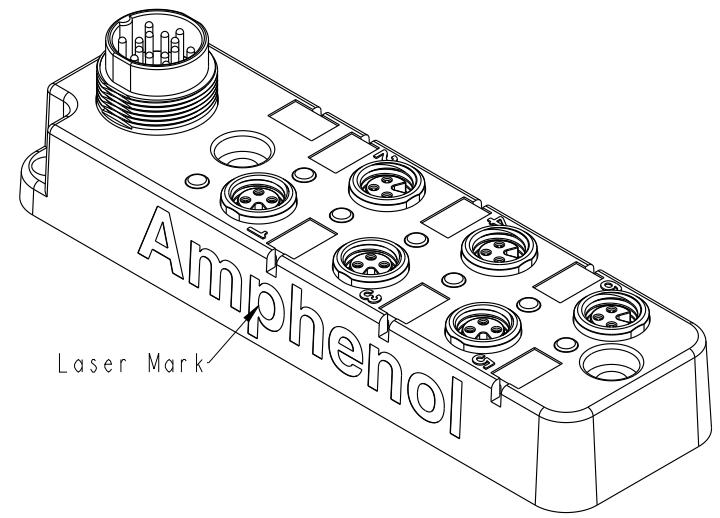
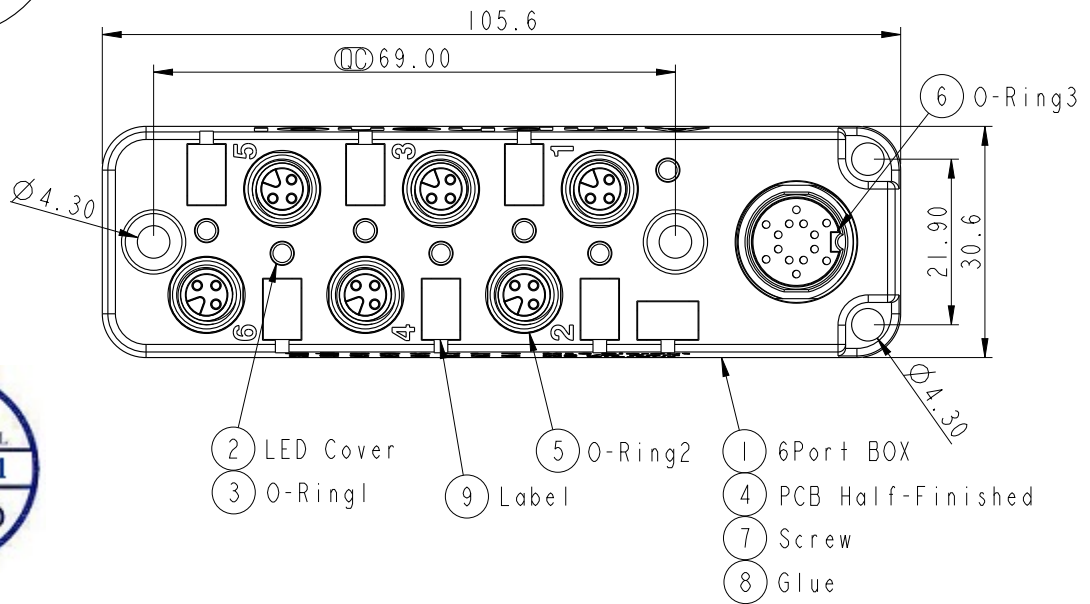


REV.	ECN NO.	DATE	SIGN	DESCRIPTION

**ALTW**  
**CONFIDENTIAL**  
 2014-07-14  
 R&D DEPT.

**ALTW**  
 DCC. DEPT.  
 CONFIDENTIAL  
 2014.07.31  
 ISSUED



Note:  
 \*  $\varnothing$  Important Dimensions.  
 Electrical:  
 \* Voltage: 24VDC, 30V DCMax.  
 \* Current Sum Max.: 6A  
 \* Power indicator: 1\*LED, Green  
 \* Function Indicator: 6 \* LED Yellow  
 \* Homerun Connector: M16\*0.75, 14-pole Male  
 \* Sensor Connections: M8\*1, 3-pole Female  
 \* Switching Output: PNP  
 Mechanical:  
 \* Box Material: PBT+PC, Black  
 \* Connector Housing Material: Nylon+GF, Black  
 \* Contact Material: Copper Alloy, Gold plated  
 \* No. of Ports: 6  
 \* Style: M8\*1.0  
 \* Mounting type: M4 Screw  
 Environmental:  
 \* Operating Temperature : -25°C~+90°C  
 \* Waterproof Rate: IP67 (Unmated)  
 \* Oil Resistant

UNIT:mm		
TOLERANCE	±0.25	±0.1
.X	±0.1	±0.05
.XX	±0.05	±1°
.XXX	±0.05	
ANGLES	±1°	

TITLE M8 Distribution BOX With M16		
SCALE 1:1	SIZE A4	SHEET 1 OF 2
REV. A	WC-REV. A.5	$\varnothing$ : Inspection item

**Amphenol LTW**  
 安費諾亮泰企業股份有限公司

ITEM NO DB8-3A6M16-SPS7001	DRAWN BY Tony_leng	DATE 2014-07-14
DWG NO DB8-3A6M16-SPS7001	CHECKED BY Jimmy	DATE 2014-07-14
CUSTOMER ALTW	APPROVED BY Wenmao	DATE 2014-07-14

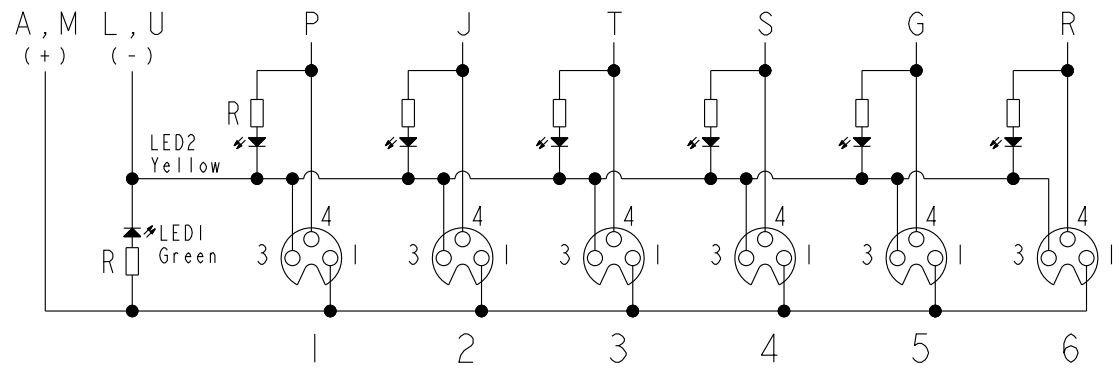
THIS DOCUMENT IS SUBJECT TO CHANGE WITHOUT NOTICE. IT IS CONFIDENTIAL AND A PROPERTY OF Amphenol LTW. DISCLOSURE TO THIRD PARTY HAS TO BE AUTHORIZED BY Amphenol LTW.

F  
E  
D  
C  
B  
A

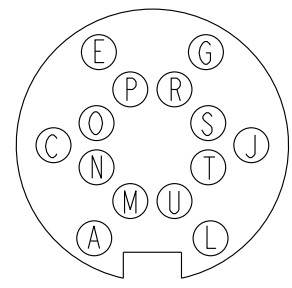
THIS DOCUMENT IS SUBJECT TO CHANGE WITHOUT NOTICE. IT IS CONFIDENTIAL AND A PROPERTY OF AMPHENOL LTW. DISCLOSURE TO THIRD PARTY HAS TO BE AUTHORIZED BY AMPHENOL LTW.



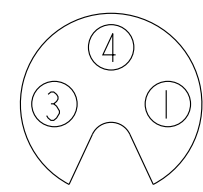
### M16 Connector Pins



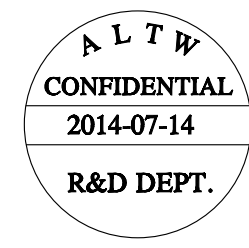
### M8 I/O Ports



M16



M8



R	6	4
G	5	4
S	4	4
T	3	4
J	2	4
P	1	4
L, U (0V)	1~6	3
A, M (+V)	1~6	1
M16 Pin	M8 Port	M8 Pin

UNIT: mm

TOLERANCE	
.X	±0.25
.XX	±0.1
.XXX	±0.05
ANGLES	±1°

TITLE M8 Distribution BOX With M16			
SCALE 1:1	SIZE A4	SHEET 2 OF 2	
REV. A	WC-REV. A.5	QC: Inspection item	

**Amphenol LTW**  
安費諾亮泰企業股份有限公司

ITEM NO DB8-3A6M16-SPS7001	DRAWN BY Tony_leng	DATE 2014-07-14
DWG NO DB8-3A6M16-SPS7001	CHECKED BY Jimmy	DATE 2014-07-14
CUSTOMER ALTW	APPROVED BY Wenmao	DATE 2014-07-14