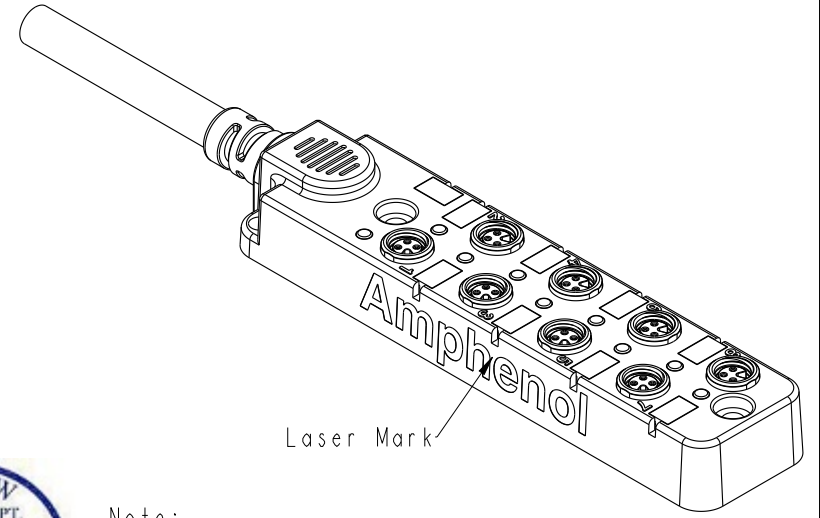
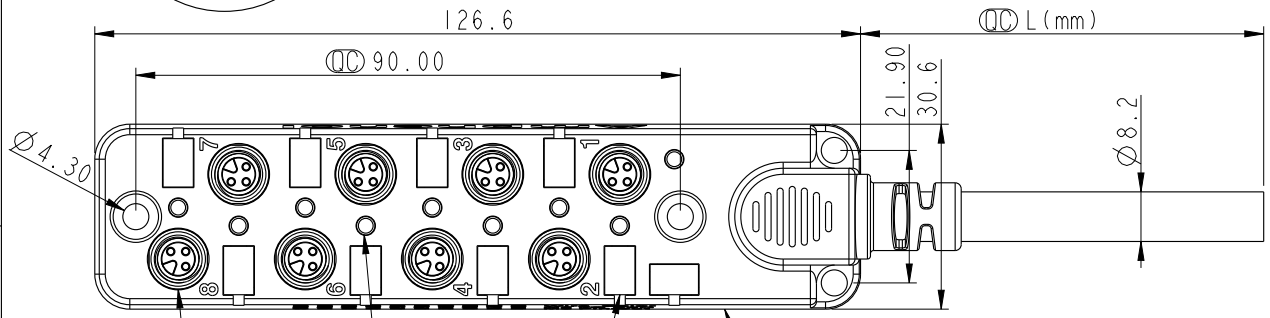


THIS DOCUMENT IS SUBJECT TO CHANGE WITHOUT NOTICE. IT IS CONFIDENTIAL AND A PROPERTY OF Amphenol LTW. DISCLOSURE TO THIRD PARTY HAS TO BE AUTHORIZED BY Amphenol LTW.

**ALTW**  
**CONFIDENTIAL**  
 2014-07-15  
**R&D DEPT.**

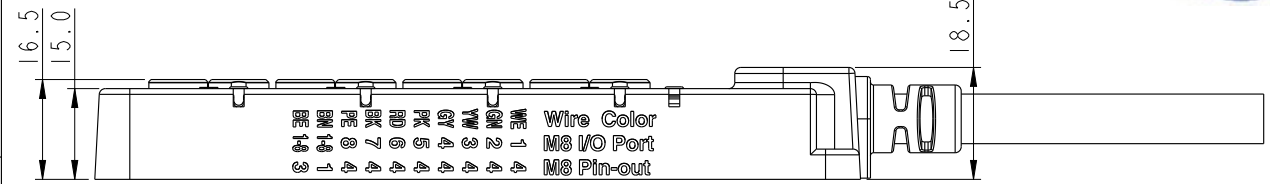
REV.	ECN NO.	DATE	SIGN	DESCRIPTION



- 5 O-Ring2
- 2 LED Cover
- 3 O-Ring1
- 10 Label
- 1 8Port BOX
- 4 PCB Half-Finished
- 8 Screw
- 9 Glue

**ALTW**  
 DCC. DEPT.  
 CONFIDENTIAL  
 2014.07.31  
**ISSUED**

Note:  
 \*  $\varnothing$  Important Dimensions.  
 Electrical:  
 \* Voltage: 24VDC, 30V DCMax.  
 \* Current Sum Max.: 6A  
 \* Power indicator: 1\*LED, Green  
 \* Function Indicator: 8\*LED Yellow  
 \* Sensor Connections: M8\*1, 3-pole Female  
 \* Switching Output: PNP  
 Mechanical:  
 \* Box Material: PBT+PC, Black  
 \* Connector Housing Material: Nylon+GF, Black  
 \* Contact Material: Copper Alloy, Gold plated  
 \* No. of Ports: 8  
 \* Style: M8\*1.0  
 \* Mounting type: M4 Screw  
 \* Cable: UL20549 18AWG\*2C+22AWG\*8C+ Filler+Paper, PUR Jacket, OD8.2, Black.  
 Environmental:  
 \* Operating Temperature : -20°C~+80°C  
 \* Waterproof Rate: IP67 (Unmated)  
 \* Oil Resistant



DB8-3A8CAB-SPS7BXX

Cable Length Tolerance:  
 01M:±40mm  
 02M~05M:±60mm  
 06M~10M:±100mm  
 11M~30M:±200mm  
 31M~99M:±500mm

XX:01~99 Meters  
 01:01 Meter  
 02:02 Meters  
 ...  
 99:99 Meters

Cable Length(L):01~99 Meters

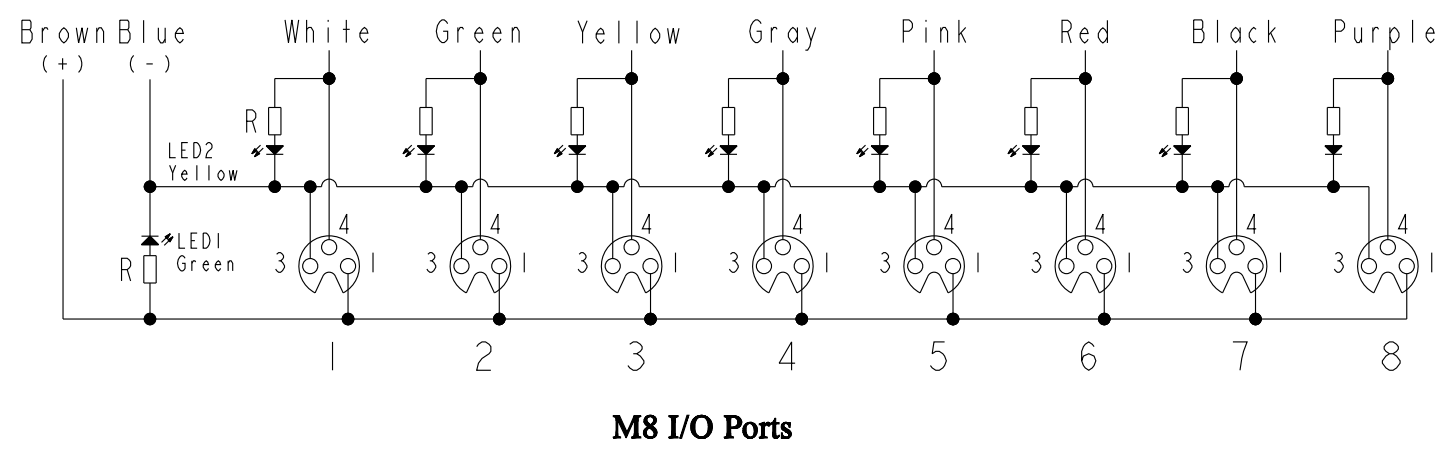
UNIT:mm TOLERANCE .X ±0.25 .XX ±0.1 .XXX ±0.05 ANGLES ±1°		TITLE		ITEM NO	DRAWN BY	DATE
		M8 Distribution BOX With Cable		DB8-3A8CAB-SPS7BXX	Tony_leng	2014-07-15
SCALE 4:5		SIZE A4	SHEET 1 OF 2	CHECKED BY	DATE	
REV. A		WC-REV. A.4	$\varnothing$ : Inspection item	APPROVED BY	DATE	
		<b>Amphenol LTW</b> 安費諾亮泰企業股份有限公司		CUSTOMER	Wenmao	2014-07-15
				ALTW		

A B C D E F 2 3 4 5 6 7 8 FMM10702-01-02A1

THIS DOCUMENT IS SUBJECT TO CHANGE WITHOUT NOTICE. IT IS CONFIDENTIAL AND A PROPERTY OF Amphenol LTW. DISCLOSURE TO THIRD PARTY HAS TO BE AUTHORIZED BY Amphenol LTW.

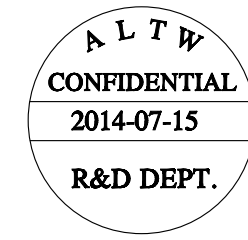
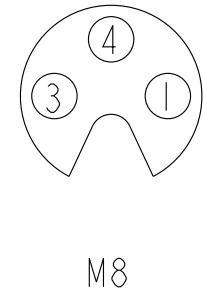


### Wire Color



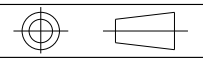
### M8 I/O Ports

Purple 紫	O	8	4
Black 黑	E	7	4
Red 紅	R	6	4
Pink 粉紅	G	5	4
Gray 灰	S	4	4
Yellow 黃	T	3	4
Green 綠	J	2	4
White 白	P	1	4
Blue 藍	BE(-)	1~8	3
Brown 棕	BN(+)	1~8	1
Wire Color	Pin NO.	M8 Port	M8 Pin



UNIT:mm

TOLERANCE  
 .X ±0.25  
 .XX ±0.1  
 .XXX ±0.05  
 ANGLES ±1°



TITLE M8 Distribution BOX With Cable			
SCALE 4:5	SIZE A4	SHEET 2 OF 2	
REV. A	WC-REV. A.4	QC: Inspection item	

**Amphenol LTW**  
 安費諾亮泰企業股份有限公司

ITEM NO	DWG NO DB8-3A8CAB-SPS7BXX
CUSTOMER ALTW	

DRAWN BY Tony_leng	CHECKED BY Jimmy
APPROVED BY Wenmao	

DATE 2014-07-15	DATE 2014-07-15
DATE 2014-07-15	