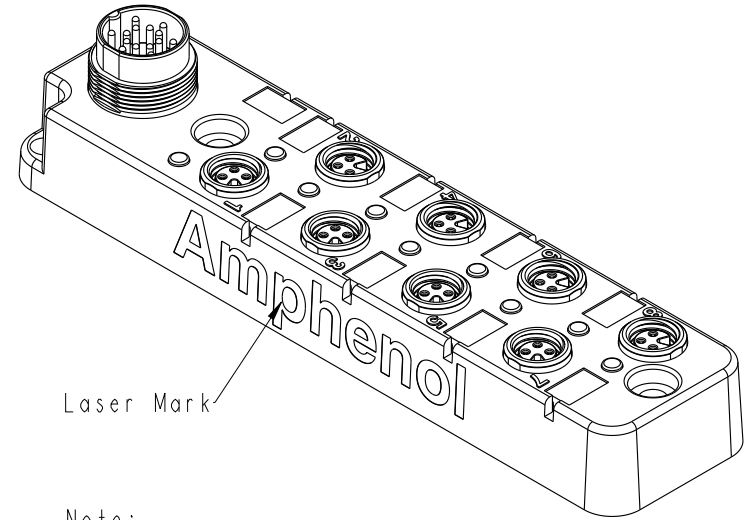
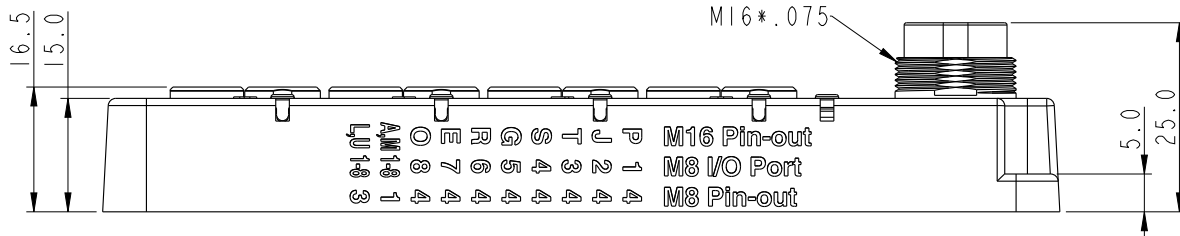
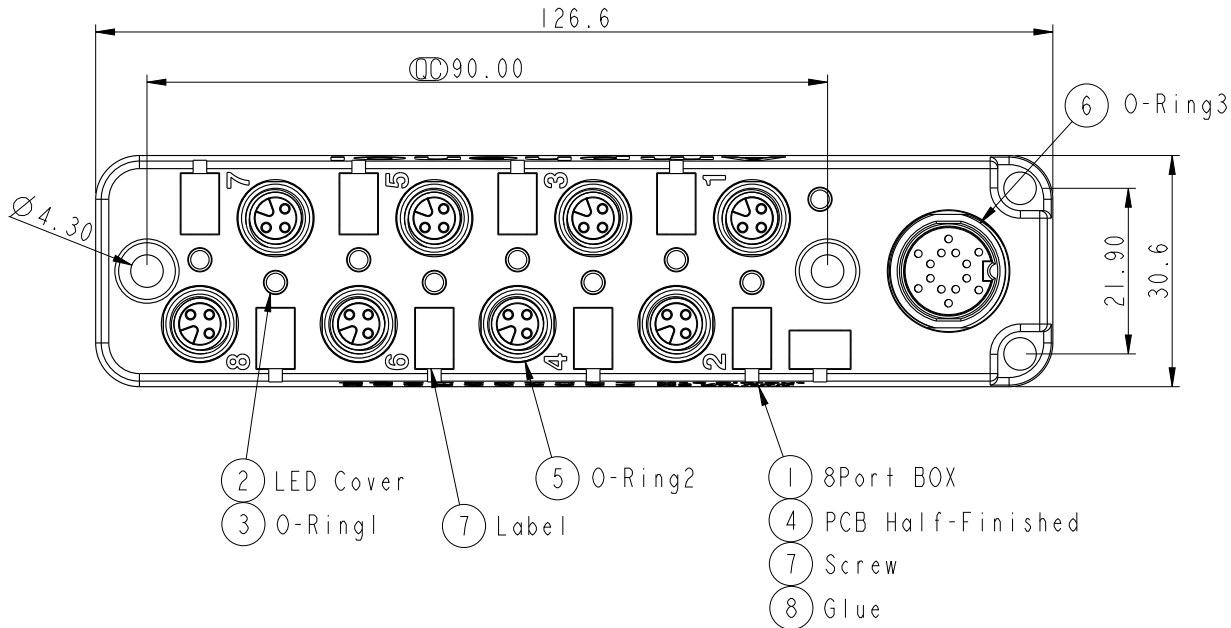


ALTW
CONFIDENTIAL
2014-07-14
R&D DEPT.

ALTW
DCC. DEPT.
CONFIDENTIAL
2014.07.31
ISSUED

REV.	ECN NO.	DATE	SIGN	DESCRIPTION



Note:
 * \varnothing Important Dimensions.
 Electrical:
 * Voltage: 24VDC, 30V DCMax.
 * Current Sum Max.: 6A
 * Power indicator: 1*LED, Green
 * Function Indicator: 8 * LED Yellow
 * Homerun Connector: M16*0.75, 14-pole Male
 * Sensor Connections: M8*1, 3-pole Female
 * Switching Output: PNP
 Mechanical:
 * Box Material: PBT+PC, Black
 * Connector Housing Material: Nylon+GF, Black
 * Contact Material: Copper Alloy, Gold plated
 * No. of Ports: 8
 * Style: M8*1.0
 * Mounting type: M4 Screw
 Environmental:
 * Operating Temperature : -25°C~+90°C
 * Waterproof Rate: IP67 (Unmated)
 * Oil Resistant

UNIT: mm		
TOLERANCE	±0.25	
.X	±0.1	
.XX	±0.05	
.XXX	±0.05	
ANGLES	±1°	

TITLE M8 Distribution BOX With M16		
SCALE 1:1	SIZE A4	SHEET 1 OF 2
REV. A	WC-REV. A.5	\varnothing : Inspection item

Amphenol LTW
安費諾亮泰企業股份有限公司

ITEM NO. DB8-3A8M16-SPS7001	DRAWN BY Tony_leng	DATE 2014-07-14
DWG NO. DB8-3A8M16-SPS7001	CHECKED BY Jimmy	DATE 2014-07-14
CUSTOMER ALTW	APPROVED BY Wenmao	DATE 2014-07-14

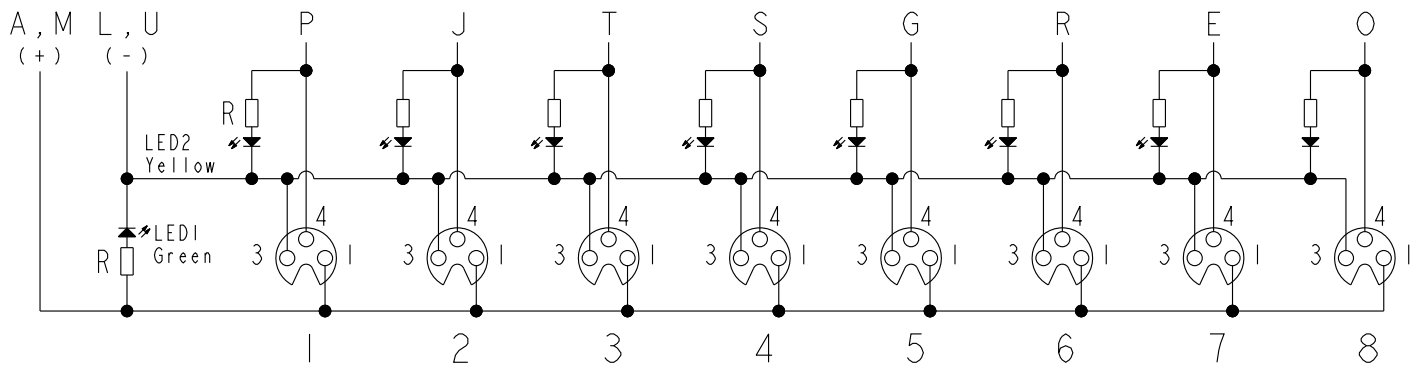
THIS DOCUMENT IS SUBJECT TO CHANGE WITHOUT NOTICE. IT IS CONFIDENTIAL AND A PROPERTY OF Amphenol LTW. DISCLOSURE TO THIRD PARTY HAS TO BE AUTHORIZED BY Amphenol LTW.

F
E
D
C
B
A

THIS DOCUMENT IS SUBJECT TO CHANGE WITHOUT NOTICE. IT IS CONFIDENTIAL AND A PROPERTY OF AMPHENOL LTW. DISCLOSURE TO THIRD PARTY HAS TO BE AUTHORIZED BY AMPHENOL LTW.

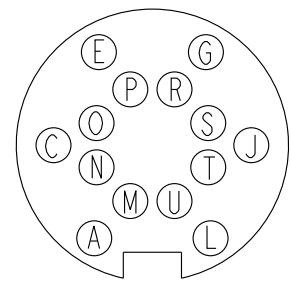


M16 Connector Pins

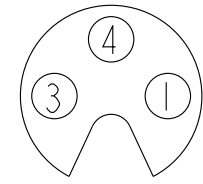


M8 I/O Ports

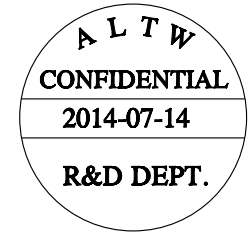
O	8	4
E	7	4
R	6	4
G	5	4
S	4	4
T	3	4
J	2	4
P	1	4
L, U (0V)	1~8	3
A, M (+V)	1~8	1
M16 Pin	M8 Port	M8 Pin



M16



M8



UNIT: mm

TOLERANCE	
.X	±0.25
.XX	±0.1
.XXX	±0.05
ANGLES	±1°

TITLE M8 Distribution BOX With M16			
SCALE 1:1	SIZE A4	SHEET 2 OF 2	
REV. A	WC-REV. A.5	QC: Inspection item	

Amphenol LTW
安費諾亮泰企業股份有限公司

ITEM NO DB8-3A8M16-SPS7001	DRAWN BY Tony_leng	DATE 2014-07-14
DWG NO DB8-3A8M16-SPS7001	CHECKED BY Jimmy	DATE 2014-07-14
CUSTOMER ALTW	APPROVED BY Wenmao	DATE 2014-07-14