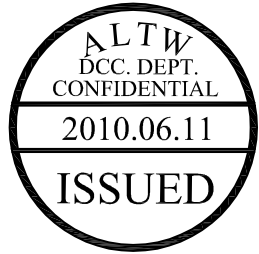
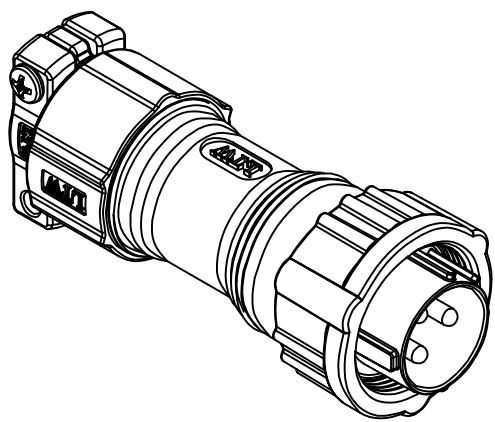
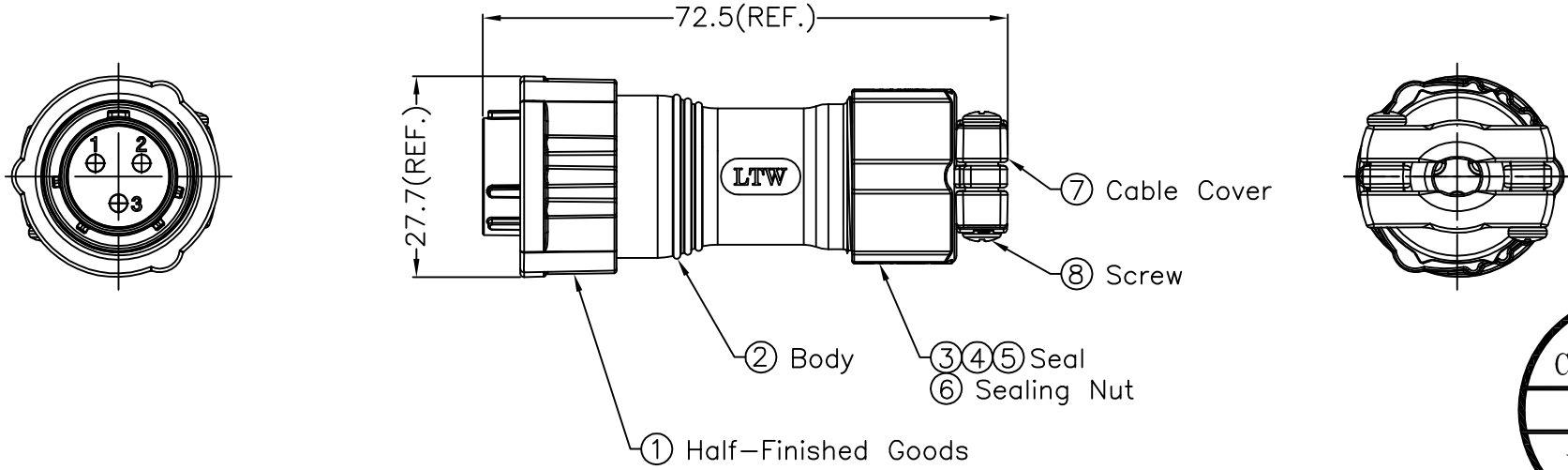


5	6	7	8
REV. A	ECN NO. Initial Release	DATE 2010/05/25	SIGN Jessie
			DESCRIPTION Form Rev.01 To A

THIS DOCUMENT IS SUBJECT TO CHANGE WITHOUT NOTICE. IT IS CONFIDENTIAL AND A PROPERTY OF Amphenol LTW. DISCLOSURE TO THIRD PARTY HAS TO BE AUTHORIZED BY Amphenol LTW.



- Note:
- * Ⓞ Important Dimension.
 - * Waterproof Rate: IP68.
IP68: 1M depth of water in 24 Hrs.
(防水等級: IP68)
 - IP68: 水深一米測試 24 小時.
 - * Cable OD: $\phi 5.5\text{mm} \sim \phi 12.5\text{mm}$.
 - * Gasket: Silicone ,Gray.
 - * Shell: Zinc Alloy ,Ni Plated ,Silver.
 - * Male Pin: Copper Alloy ,Silver Plated.
 - * Insulation: Nylon ,Black.
 - ⑨ * One Set Assembled in one PE Bag.

UNIT:mm		TITLE Circular II Series 3 Pin Assy		Amphenol LTW		ITEM NO LC20-03BFMA-SL8001	DRAWN BY Jessie	DATE 2010/05/25
TOLERANCE .X ±0.25 .XX ±0.1 .XXX ±0.05 ANGLES ±1°		SCALE Free	SHEET 1 OF 1	安費諾亮泰企業股份有限公司		DWG NO LC20-03BFMA-SL8001	CHECKED BY Jimmy	DATE 2010/05/26
REV. A	SIZE A4	Ⓞ :Inspection Item		CUSTOMER ALTW		APPROVED BY Win	DATE 2010/06/01	8 FMW10702-01-01A2