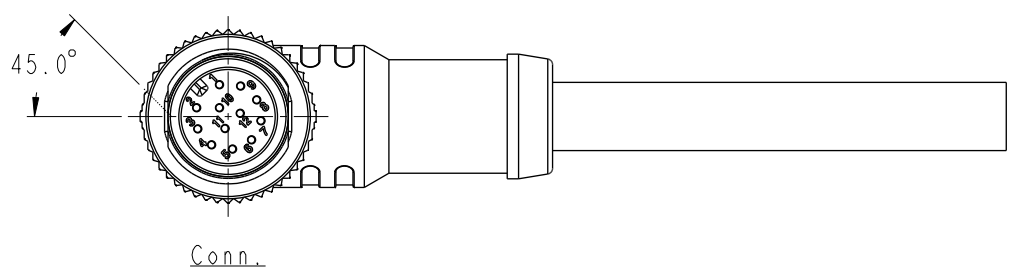
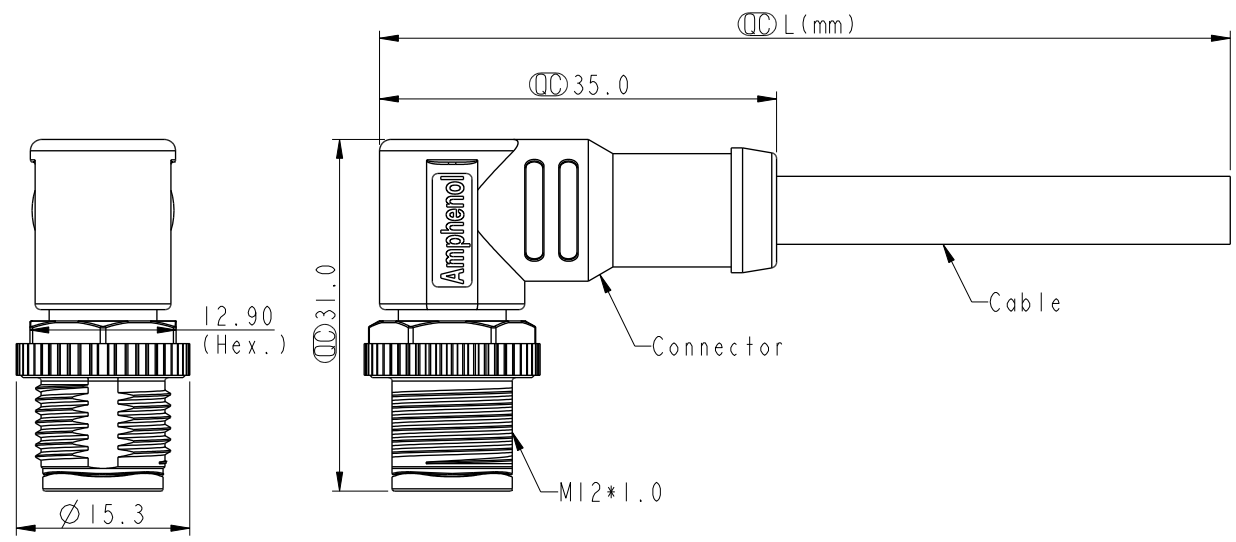


THIS DOCUMENT IS SUBJECT TO CHANGE WITHOUT NOTICE. IT IS CONFIDENTIAL AND A PROPERTY OF Amphenol LTW. DISCLOSURE TO THIRD PARTY HAS TO BE AUTHORIZED BY Amphenol LTW.

REV.	ECN NO.	DATE	SIGN	DESCRIPTION
E	C201613	2020/10/21	Vicky	△E X4
F	C210020	2021/01/07	Vicky	△E X1
G	C210221	2021/03/18	Vicky	△G X4



Note:
 * RoHS Compliant
 * \varnothing Important dimension
 * Waterproof rate: IPX8, mated 1m/24h
 IPX9K, mated

- * Connector
 Housing: Thermoplastic, Black
 Pin: Copper alloy, Gold plated
- △F Nut: Metal
 Outer mold: Thermoplastic, Black
- * Cable: UL20549, PUR Jacket, Black
- * Cable length tolerance: 1M: +50/-0 mm
 1M < L ≤ 3M: +100/-0 mm
 3M < L ≤ 5M: +150/-0 mm
 5M < L ≤ 10M: ±100 mm
 10M < L ≤ 20M: ±200 mm
 20M < L ≤ 30M: ±300 mm
 30M < L ≤ 99M: ±500 mm

UNIT: mm
 TOLERANCE
 ± 0.5 mm

TITLE N SEN, M12 A, SCREW CABLE W/O SR, M, M, MOLDING			△G
SCALE 3:2	SIZE A4	SHEET 1 OF 2	
REV. G	WC-REV. A.1	⊙: Inspection item	

Amphenol LTW
 安費諾亮泰企業股份有限公司

ITEM NO.	DRAWN BY Lingpeng	DATE 2017-04-06
DWG NO. △E M12A-XXBMM-SR8BXX	CHECKED BY Ma Fei	DATE 2017-04-06
CUSTOMER ALTW	APPROVED BY Jerry	DATE 2017-04-06

F									12P	6.0	26	MI2A-12BMMM-SR8BXX									
									10P			MI2A-10BMMM-SR8BXX									
E		D							8P	4.8	24	MI2A-08BMMM-SR8BXX									
									6P			MI2A-06BMMM-SR8BXX									
									C		D							5P	4.4	22	MI2A-05BMMM-SR8BXX
																		4P			MI2A-04BMMM-SR8BXX
																		3P	MI2A-03BMMM-SR8BXX		
									B		G							Contacts	Cable OD	AWG	Item No.

MI2A-XXBMMM-SR8BXX

XX: No. Of Pin

- XX: 01~99Meters
- 01: 01Meter
- 02: 02Meters
- ⋮
- 99: 99Meters

C	Pin Out	5	--		5	--		5	Gray	灰	5	--		8	--		8	Red	紅	12	--		12	Red/Blue	紅/藍								
		4	Black	黑	4	Black	黑	4	Black	黑	4	Yellow	黃	4	Blue	藍	7	Blue	藍	8	Black	黑	9	Violet	紫	10	Violet	紫	11	Gray/Pink	灰/粉		
	3	Blue	藍	3	Blue	藍	3	Blue	藍	3	Green	綠	3	Pink	粉	7	Red	紅	8	Red	紅	9	Black	黑	10	Black	黑	11	Black	黑			
	2	--		2	White	白	2	White	白	2	Brown	棕	2	Brown	棕	7	Blue	藍	8	Pink	粉	9	Yellow	黃	10	Yellow	黃	11	Yellow	黃			
	1	Brown	棕	1	Brown	棕	1	Brown	棕	1	White	白	1	White	白	6	Pink	粉	7	Gray	灰	8	Green	綠	9	Green	綠	10	Brown	棕	11	Brown	棕
	Pin #	Wire		Pin #	Wire		Pin #	Wire		Pin #	Wire		Pin #	Wire		Pin #	Wire		Pin #	Wire		Pin #	Wire		Pin #	Wire		Pin #	Wire		Pin #	Wire	

Pin Assignments Front View

A	UNIT:mm		TITLE		<h2 style="margin: 0;">Amphenol LTW</h2> <p style="margin: 0;">安費諾亮泰企業股份有限公司</p>	ITEM NO	DRAWN BY	DATE
	TOLERANCE ±0.5mm		N SEN, M12 A, SCREW CABLE W/O SR, M, M, MOLDING	3:2		A4	2 OF 2	MI2A-XXBMMM-SR8BXX
	REV. G	WC-REV. A.1		ALTW	CUSTOMER	CHECKED BY Ma Fei	APPROVED BY Jerry	DATE 2017-04-06