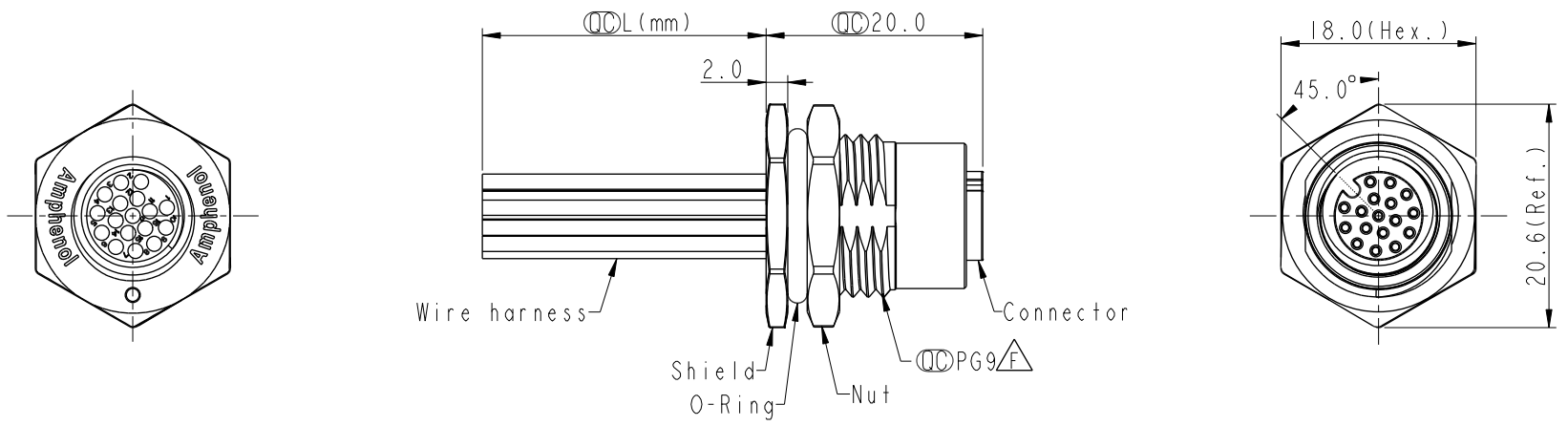
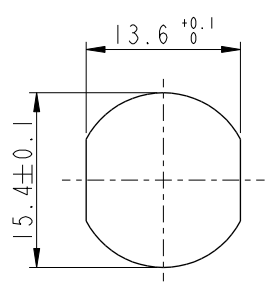


THIS DOCUMENT IS SUBJECT TO CHANGE WITHOUT NOTICE. IT IS CONFIDENTIAL AND A PROPERTY OF Amphenol LTW. DISCLOSURE TO THIRD PARTY HAS TO BE AUTHORIZED BY Amphenol LTW.

REV.	ECN NO.	DATE	SIGN	DESCRIPTION
E	BOMR19100207	2019/10/29	Peng	Add 17Pin
F	C201603	2020/10/22	Ruru	$\triangle F$ X8
G	C210239	2021/04/06	Ruru	$\triangle G$ X4



- Note: $\triangle C$ $\triangle D$ $\triangle F$ $\triangle G$
- * RoHS Compliant
 - * \varnothing Important dimension
 - * Waterproof rate: IPX8, unmated 1m/24h
IPX9K, unmated
 - * Connector
 - Housing: Thermoplastic, Black
 - Pin: Copper alloy, Gold plated
 - O-Ring: Rubber, Green
 - * Shield: Metal
 - * Nut: Metal
 - * O-Ring: Rubber, Black
 - * Wire harness: UL1061
 - * For panel thickness max: 4.5mm
 - * O-Ring and nut are assembled on connectors
 - * Wire harness tolerance: 100mm: ± 10 mm
100mm < L \leq 300mm: ± 15 mm
300mm < L \leq 1000mm: ± 20 mm
1000mm < L \leq 1500mm: ± 50 mm



Recommended Panel Cut-Out

UNIT: mm	
TOLERANCE	
.X	± 0.25
.XX	± 0.1
.XXX	± 0.05
ANGLES	$\pm 1^\circ$

TITLE N SEN, M12 A, SCREW RECEPTACLE, F, F, FI/PANEL CRIMP $\triangle G$		
SCALE 3:2	SIZE A4	SHEET 1 OF 2
REV. G	WC-REV. A.3	\varnothing : Inspection item

Amphenol LTW
安費諾亮泰企業股份有限公司

ITEM NO.	DRAWN BY Ruru	DATE 2019-09-19
DWG NO. $\triangle F$ M12A-XXPFFC-SF8BXX	CHECKED BY Rita	DATE 2019-09-19
CUSTOMER ALTW	APPROVED BY Max	DATE 2019-09-19

THIS DOCUMENT IS SUBJECT TO CHANGE WITHOUT NOTICE. IT IS CONFIDENTIAL AND A PROPERTY OF Amphenol LTW. DISCLOSURE TO THIRD PARTY HAS TO BE AUTHORIZED BY Amphenol LTW.

E F	17P	26	M12A-17PFFC-SF8BXX
	5P	22	M12A-05PFFC-SF8BXX
	4P		M12A-04PFFC-SF8BXX
	3P		M12A-03PFFC-SF8BXX
Contacts	AWG	Item No.	



M12A-XXPFFC-SF8BXX

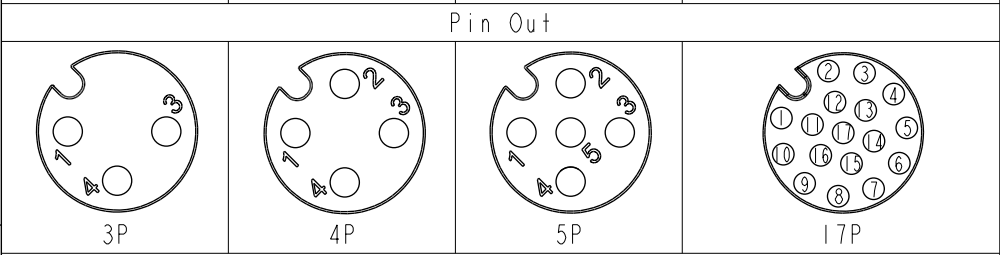
XX: No. Of Pin

- 10: 100mm
- 15: 150mm
- 20: 200mm
- 95: 950mm
- Cable Pitch Unit=50mm

- A0: 1000mm
- A5: 1500mm
- Cable Pitch Unit=100mm
- Wire Length (L): 150~1500 mm



			17	White/Gray	白/灰	
			16	Yellow/Brown	黃/棕	
			15	White/Yellow	白/黃	
			14	Brown/Green	棕/綠	
			13	White/Green	白/綠	
			12	Red/Blue	紅/藍	
			11	Gray/Pink	灰/粉	
			10	Violet	紫	
			9	Red	紅	
			8	Gray	灰	
			7	Black	黑	
			6	Yellow	黃	
			5	Pink	粉	
			4	Green	綠	
			3	White	白	
			2	Blue	藍	
			1	Brown	棕	
5	--	5	--	5	Gray	灰
4	Black	4	Black	4	Black	黑
3	Blue	3	Blue	3	Blue	藍
2	--	2	White	2	White	白
1	Brown	1	Brown	1	Brown	棕



Pin Assignments Front View

UNIT: mm		TITLE N SEN, M12 A, SCREW RECEPTACLE, F, F, FI/PANEL CRIMP	
TOLERANCE .X ±0.25 .XX ±0.1 .XXX ±0.05 ANGLES ±1°	SCALE 3:2	SIZE A4	SHEET 2 OF 2
	REV. G	WC-REV. A.3	QC: Inspection item

Amphenol LTW
安費諾亮泰企業股份有限公司

ITEM NO	DRAWN BY Ruru	DATE 2019-09-19
DWG NO M12A-XXPFFC-SF8BXX	CHECKED BY Rita	DATE 2019-09-19
CUSTOMER ALTW	APPROVED BY Max	DATE 2019-09-19