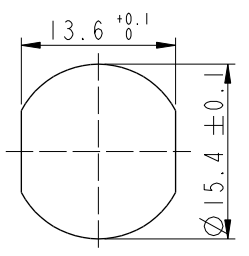


THIS DOCUMENT IS SUBJECT TO CHANGE WITHOUT NOTICE. IT IS CONFIDENTIAL AND A PROPERTY OF Amphenol LTW. DISCLOSURE TO THIRD PARTY HAS TO BE AUTHORIZED BY Amphenol LTW.

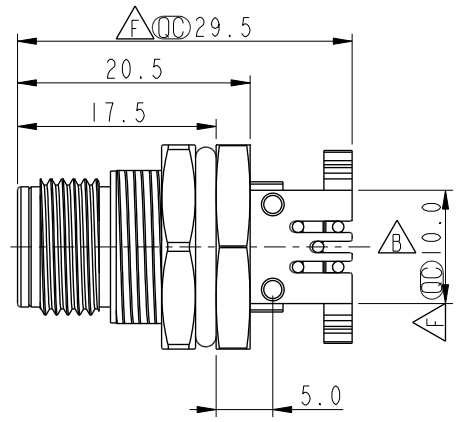
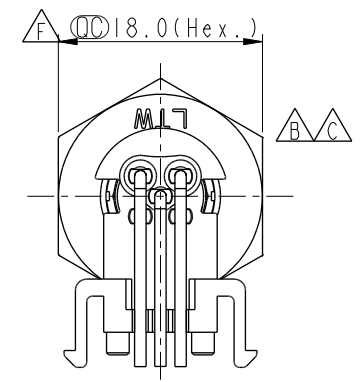
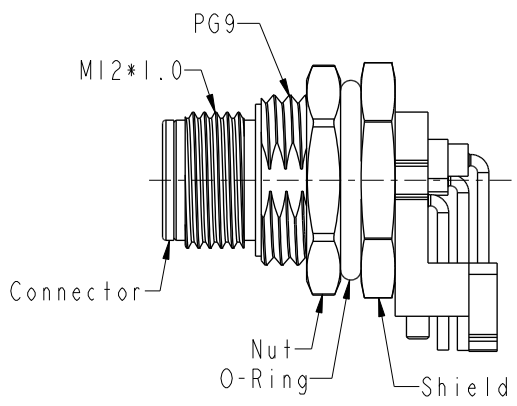
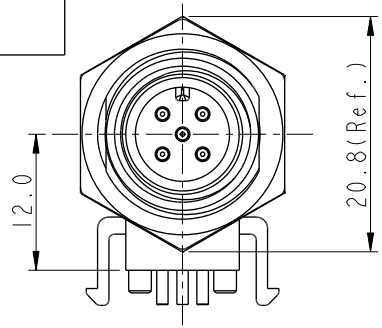
REV.	ECN NO.	DATE	SIGN	DESCRIPTION
D	C201547	2020/10/08	Vicky	△D X4
E	C210023	2021/01/14	Vicky	△E X2
F	C210309	2021/02/24	Ruru	△F X6



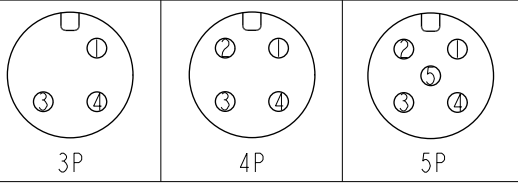
△D
M12A-XXPMMR-SF8001

XX: No. Of Pin

Recommended
Panel Cut-Out



- △D △F Note:
- * RoHS Compliant
 - * (⌀) Important dimension
 - * Waterproof rate: IPX8, unmated 1m/24h
 - * Connector Housing: Thermoplastic, Black
 - * Pin: Copper alloy, Gold plated
 - * Shield: Metal
 - * Nut: Metal
 - * O-Ring: Rubber, Black
 - * For panel thickness max: 4.5mm
 - * For pcb thickness max: 1.6mm
 - * Nut is packed separately in pe bag



Pin Assignment Front View

UNIT: mm		
TOLERANCE	.X ±0.25	.XX ±0.1
.XXX ±0.05		
ANGLES	±1°	

TITLE N SEN, M12 A, SCREW RECEPTACLE, M, M, PCB R △F			
SCALE 3:2	SIZE A4	SHEET 1 OF 2	
REV. F	WC-REV. .0	⌀: Inspection item	

Amphenol LTW
安費諾亮泰企業股份有限公司

ITEM NO.	DRAWN BY Nan_Su	DATE 2019-08-14
DWG NO. △D M12A-XXPMMR-SF8001	CHECKED BY Feng_Li	DATE 2019-08-14
CUSTOMER ALTW	APPROVED BY Jerry	DATE 2019-08-14

1 2 3 4 5 6 7 8

F

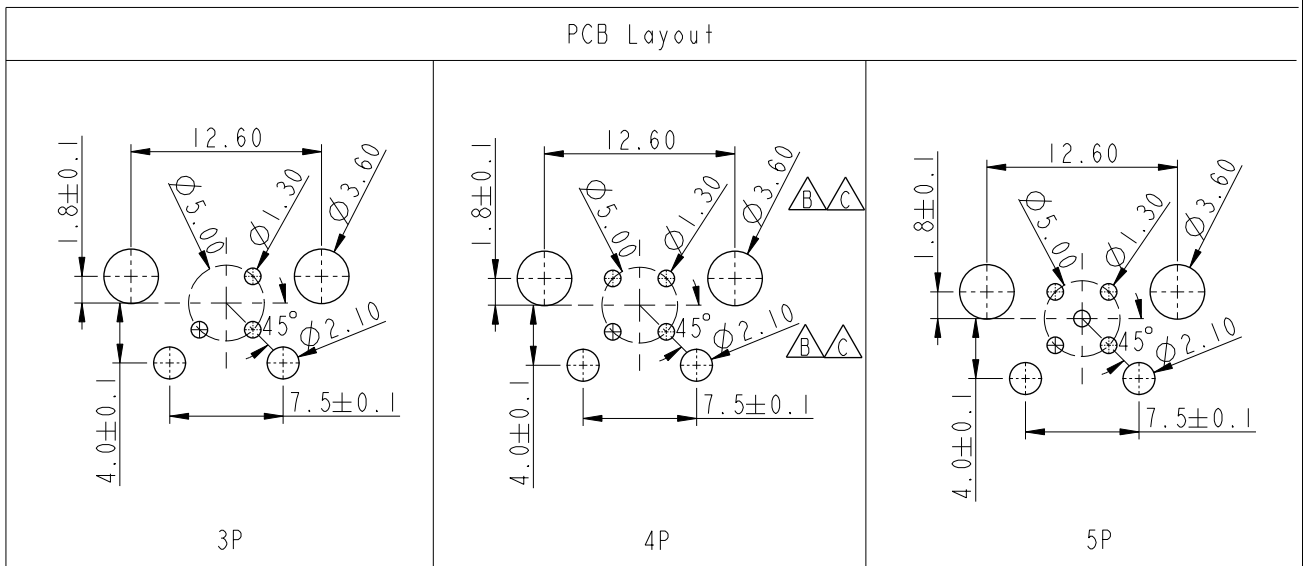
E

D

C

B

A



UNIT: mm		TITLE N SEN, M12 A, SCREW RECEPTACLE, M, M, PCB R	
TOLERANCE		SCALE	SHEET
.X ±0.25		3:2	2 OF 2
.XX ±0.1		REV.	WC-REV.
.XXX ±0.05		F	.0
ANGLES ±1°		Inspection item	

Amphenol LTW

安費諾亮泰企業股份有限公司

ITEM NO	DRAWN BY	DATE
	Nan_Su	2019-08-14
DWG NO	CHECKED BY	DATE
M12A-XXPMR-SF8001	Feng_Li	2019-08-14
CUSTOMER	APPROVED BY	DATE
ALTW	Jerry	2019-08-14