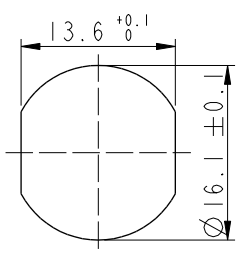


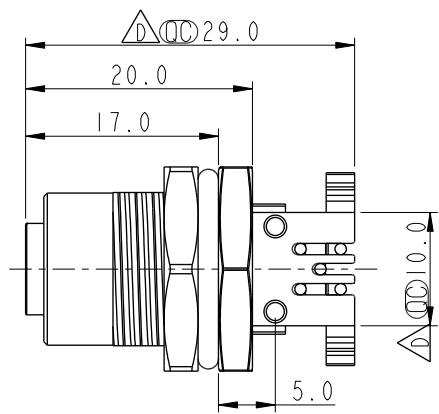
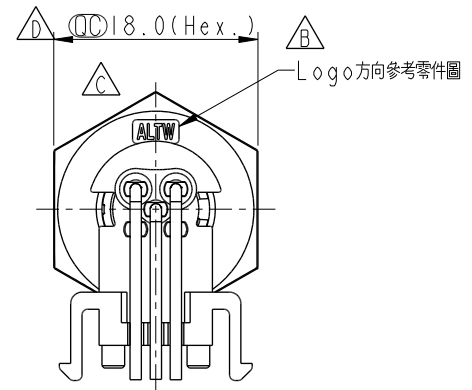
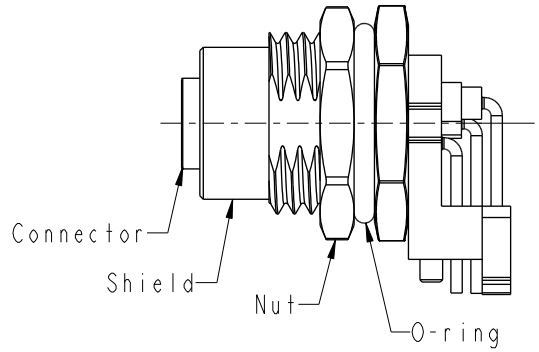
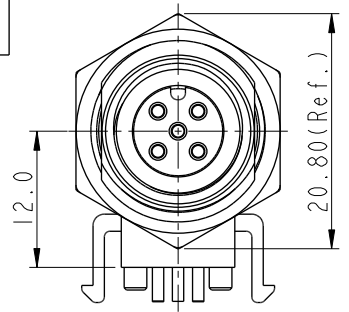
THIS DOCUMENT IS SUBJECT TO CHANGE WITHOUT NOTICE. IT IS CONFIDENTIAL AND A PROPERTY OF AMPHENOL LTW. DISCLOSURE TO THIRD PARTY HAS TO BE AUTHORIZED BY AMPHENOL LTW.

REV.	ECN NO.	DATE	SIGN	DESCRIPTION
C	C201447	2020/09/18	Ruru	△C X6
D	C210309	2021/02/24	Ruru	△D X6
E	C210798	2021/05/21	Ruru	△E XI

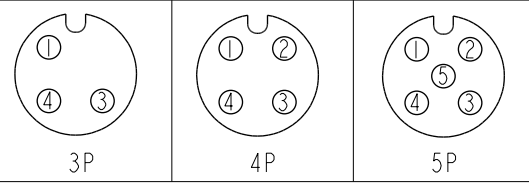


Recommended Panel Cut-Out

△C
M12A-XXPFFR-SF8002
XX: No. Of Pin



- △C △D Note:
- * RoHS Compliant
 - * ⌀ Important dimension
 - * Waterproof rate: IPX8, unmated 1m/24h
 - * Connector Housing: Thermoplastic, Black
 - * Pin: Copper alloy, Gold plated
 - △E O-Ring: Rubber, Gray
 - * Shield: Metal
 - * Nut: Metal
 - * O-Ring: Rubber, Black
 - * For panel thickness max: 4.5mm
 - * For pcb thickness max: 1.6mm
 - * Nut is packed separately in pe bag



Pin Assignment Front View

UNIT:mm		
TOLERANCE	.X ±0.25	
.XX ±0.1		
.XXX ±0.05		
ANGLES	±1°	

TITLE N SEN, M12 A, SCREW RECEPTACLE, F, F, PCB R △D			
SCALE 3:2	SIZE A4	SHEET 1 OF 2	
REV. E	WC-REV. A.2	⌀: Inspection item	

Amphenol LTW
安費諾亮泰企業股份有限公司

ITEM NO	DRAWN BY Frank Deng	DATE 2017-10-23
DWG NO △A M12A-XXPFFR-SF8002	CHECKED BY Fisher Wang	DATE 2017-10-23
CUSTOMER ALTW	APPROVED BY Kevin Hu	DATE 2017-10-23

THIS DOCUMENT IS SUBJECT TO CHANGE WITHOUT NOTICE. IT IS CONFIDENTIAL AND A PROPERTY OF Amphenol LTW. DISCLOSURE TO THIRD PARTY HAS TO BE AUTHORIZED BY Amphenol LTW.

1 2 3 4 5 6 7 8

F

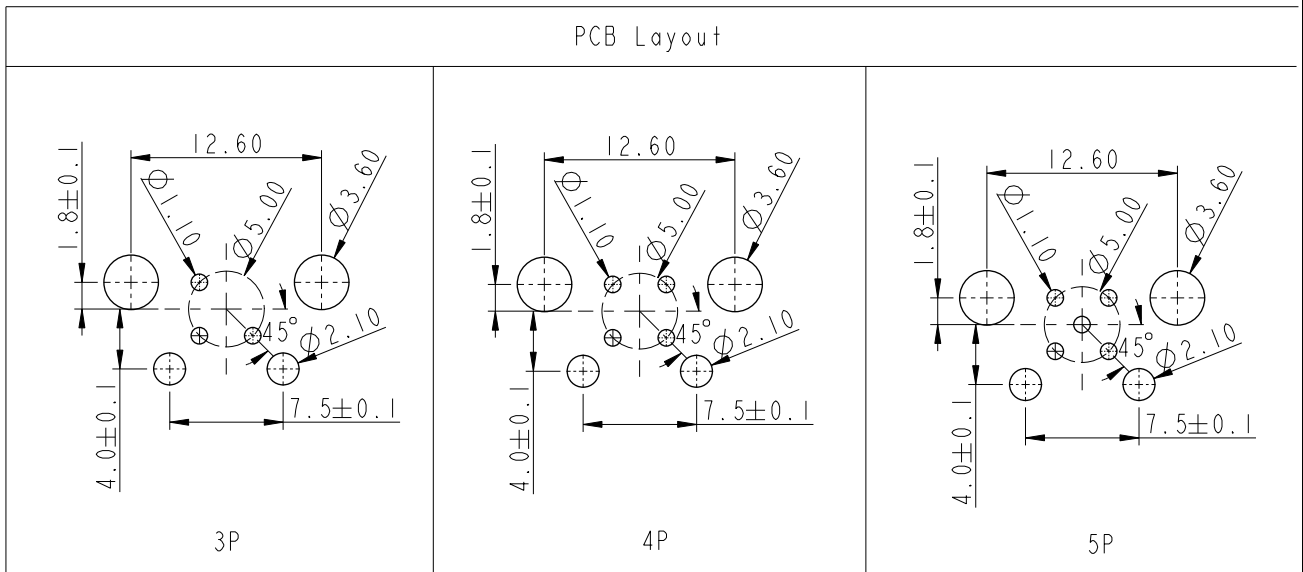
E

D

C

B

A



UNIT: mm		
TOLERANCE	.X	±0.25
	.XX	±0.1
	.XXX	±0.05
ANGLES		±1°

TITLE N SEN, M12 A, SCREW RECEPTACLE, F, F, PCB R		
SCALE 3:2	SIZE A4	SHEET 2 OF 2
REV. E	WC-REV. A.2	

Amphenol LTW
安費諾亮泰企業股份有限公司

ITEM NO	DWG NO
	M12A-XXPFFR-SF8002
CUSTOMER	ALTW

DRAWN BY	CHECKED BY
Frank Deng	Fisher Wang
APPROVED BY	
Kevin Hu	

DATE	DATE
2017-10-23	2017-10-23
DATE	DATE
2017-10-23	2017-10-23

2 3 4 5 6 7 8 W10814-03-001A2