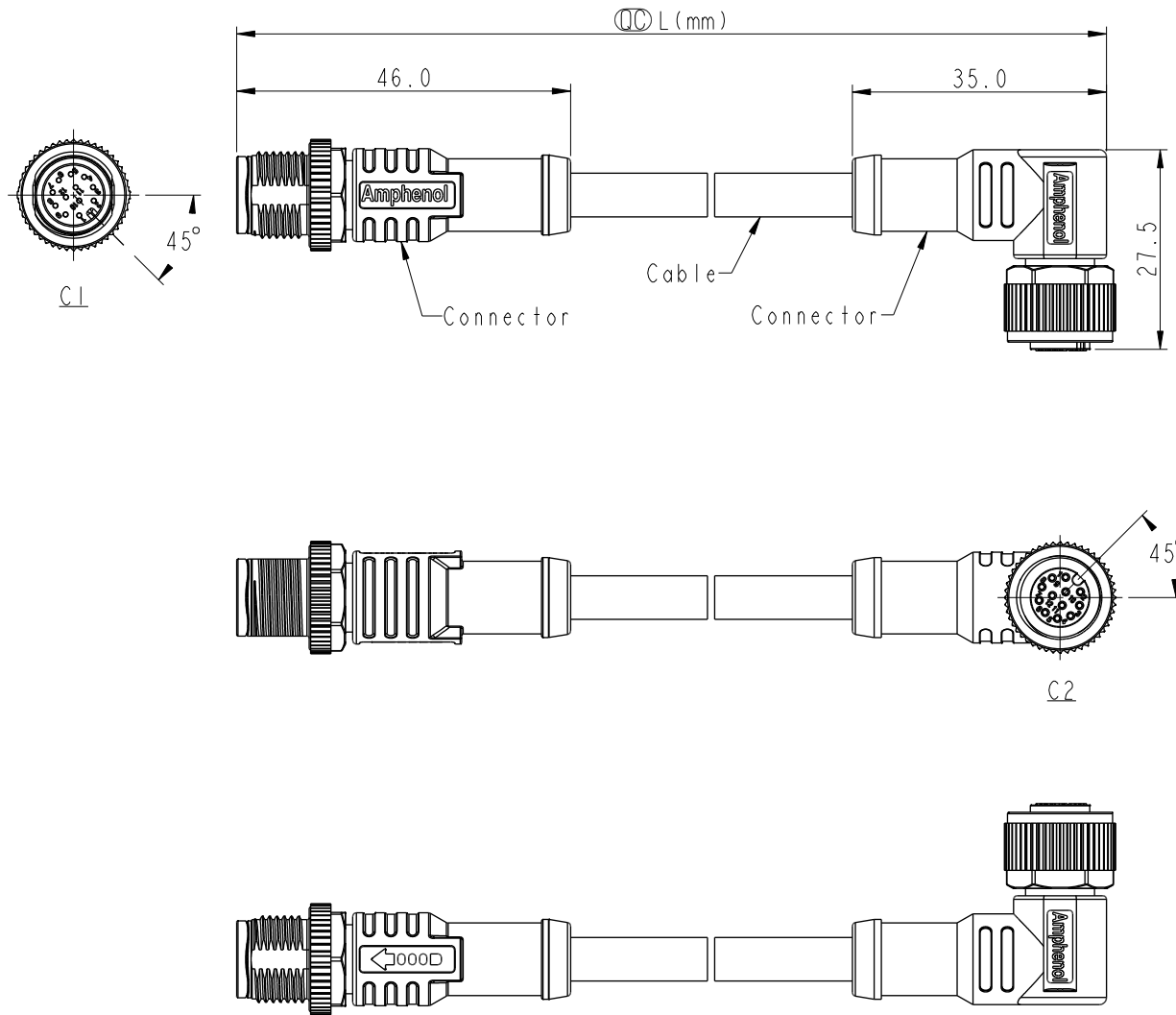


THIS DOCUMENT IS SUBJECT TO CHANGE WITHOUT NOTICE. IT IS CONFIDENTIAL AND A PROPERTY OF Amphenol LTW. DISCLOSURE TO THIRD PARTY HAS TO BE AUTHORIZED BY Amphenol LTW.

REV.	ECN NO.	DATE	SIGN	DESCRIPTION
B	C201756 & 57	2020/11/16	Vicky	$\triangle B$ X4
C	C210021	2021/01/07	Vicky	$\triangle C$ X2
D	C210227	2021/03/30	Vicky	$\triangle D$ X4



$\triangle B$ $\triangle D$

Note:

- * RoHS Compliant
- * ⌀ Important dimension
- * C1
Waterproof rate: IPX8, mated 1m/24h
IPX9K, mated
Housing: Thermoplastic, Black
Pin: Copper alloy, Gold plated
- $\triangle C$ Nut: Metal
Outer Mold: Thermoplastic, Black
- * C2
Waterproof rate: IPX8, mated 1m/24h
IPX9K, mated
Housing: Thermoplastic, Black
Pin: Copper alloy, Gold plated
O-Ring: Rubber, Green
- $\triangle C$ Nut: Metal
Outer Mold: Thermoplastic, Black
- * Cable: UL20549, PUR Jacket, Black
- * Cable Length Tolerance: 0.5M < L \leq 1M: +60/-0 mm
1M < L \leq 3M: +120/-0 mm
3M < L \leq 5M: +160/-0 mm
5M < L \leq 10M: \pm 100 mm
10M < L \leq 20M: \pm 200 mm
20M < L \leq 30M: \pm 300 mm
30M < L \leq 99M: \pm 500 mm

UNIT: mm	⌀	⌒	TITLE ACC, SEN, A Code, DB-ENDED $\triangle D$ MF
TOLERANCE $\pm 0.5\text{mm}$	SCALE 1:2	SIZE A4	SHEET 1 OF 2
REV. D	WC-REV. A.1	⌀ : Inspection item	

Amphenol LTW
安費諾亮泰企業股份有限公司

ITEM NO.	DRAWN BY Vicky	DATE 2018-12-05
DWG NO. $\triangle B$ M12AXXML-12AFR-SBXXX	CHECKED BY Rita	DATE 2018-12-05
CUSTOMER ALTW	APPROVED BY Max	DATE 2018-12-05

F	 MI2AXXML-12AFR-SBXXX	XX: No. Of Pin	XXX: 0.5~99Meters A05: 0.5 Meter 1: 01 Meter 2: 02 Meters : 99: 99 Meters	12P	6.0	26	M12A12ML-12AFR-SBXXX		
				10P			M12A10ML-12AFR-SBXXX		
E				8P	4.8	24	M12A08ML-12AFR-SBXXX		
				6P			5.0	M12A06ML-12AFR-SBXXX	
				5P	4.4	22	M12A05ML-12AFR-SBXXX		
				4P			4.0	M12A04ML-12AFR-SBXXX	
				3P			3.8	M12A03ML-12AFR-SBXXX	
						Contacts	Cable OD	AWG	Item No.

D	Pin Out	5 --		5 --		5 Gray 灰黑		8 --		8 Red 紅		8 Red/Blue 紅/藍	
		4 Black 黑		4 Black 黑		4 Black 黑		7 Blue 藍粉		7 Blue 藍粉		11 Gray/Pink 灰/粉	
C		3 Blue 藍		3 Blue 藍		3 Blue 藍		6 Pink 粉		6 Pink 粉		10 Violet 紫黑	
		2 --		2 White 白棕		2 White 白棕		5 --		5 Gray 灰		9 Black 黑	
		1 Brown 棕		1 Brown 棕		1 Brown 棕		4 Yellow 黃		4 Yellow 黃		8 Red 紅	
								3 Green 綠		3 Green 綠		7 Blue 藍	
								2 Brown 棕		2 Brown 棕		6 Pink 粉	
								1 White 白		1 White 白		5 Gray 灰	
												4 Yellow 黃	
B												3 Green 綠	
												2 Brown 棕	
												1 White 白	
												12P Red/Blue 紅/藍	
												12P Gray/Pink 灰/粉	
												12P Violet 紫黑	
												12P Black 黑	

Pin Assignments Front View

A	UNIT:mm		TITLE ACC, SEN, A Code, DB-ENDED MF				ITEM NO MI2AXXML-12AFR-SBXXX		DRAWN BY Vicky		DATE 2018-12-05	
	TOLERANCE ±0.5mm		SCALE 1:2		SIZE A4		SHEET 2 OF 2		CHECKED BY Rita		DATE 2018-12-05	
			REV. D		WC-REV. A.1		Inspection item		APPROVED BY Max		DATE 2018-12-05	
									CUSTOMER ALTW			

Amphenol LTW

安費諾亮泰企業股份有限公司