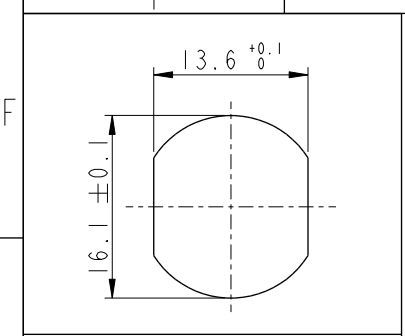


THIS DOCUMENT IS SUBJECT TO CHANGE WITHOUT NOTICE. IT IS CONFIDENTIAL AND A PROPERTY OF AMPHENOL LTW. DISCLOSURE TO THIRD PARTY HAS TO BE AUTHORIZED BY AMPHENOL LTW.

REV.	ECN NO.	DATE	SIGN	DESCRIPTION
D	C201647	2020/10/28	Vicky	△D X5
E	C210023	2021/01/14	Vicky	△E X2
F	C210309	2021/02/25	Ruru	△F X2

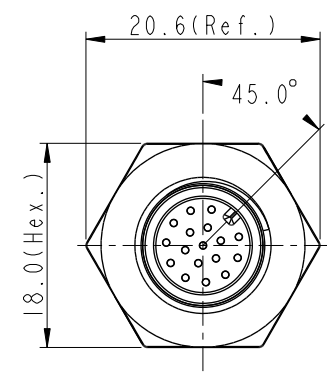
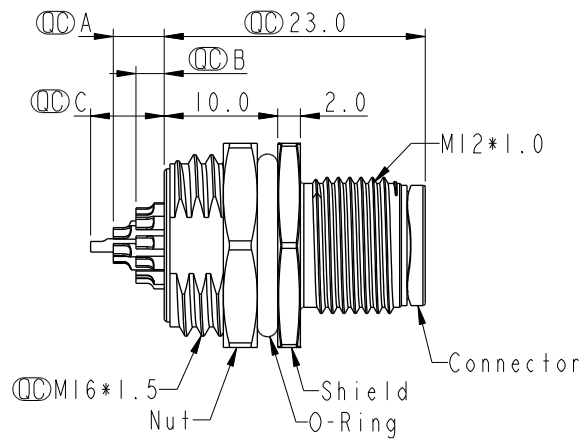
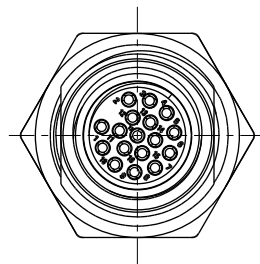


△B

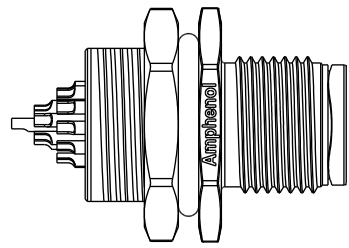
M12A-XXPMMS-SH8002

XX: No. Of Pin

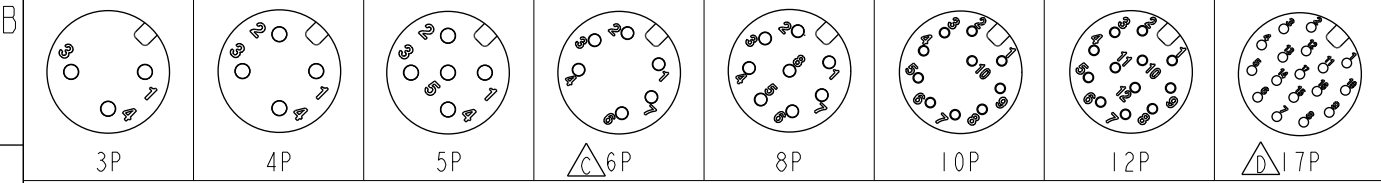
Recommended Panel Cut-Out



M12A-03PMMS-SH8002		2.5	
M12A-04PMMS-SH8002		2.5	
M12A-05PMMS-SH8002		2.5	
M12A-06PMMS-SH8002		2.5	△C
M12A-08PMMS-SH8002		2.5	
M12A-10PMMS-SH8002	4.5	2.5	
M12A-12PMMS-SH8002	4.5	2.5	
M12A-17PMMS-SH8002	4.5	2.5	6.5 △D
Item No.	A	B	C
	Pin伸出長度		



- △D △F Note:
- * RoHS Compliant
 - * Ⓞ Important dimension
 - △C * Waterproof rate: IPX8, unmated 1m/24h
IPX9K, unmated
 - * Connector
 - Housing: Thermoplastic, Black
 - Pin: Copper alloy, Gold plated
 - △E * Shield: Metal
 - △E * Nut: Metal
 - * O-Ring: Rubber, Black
 - * For panel thickness max: 4.5mm
 - * Nut is packed separately in pe bag



UNIT: mm

TOLERANCE
 .X ±0.25
 .XX ±0.1
 .XXX ±0.05
 ANGLES ±1°

SCALE 1:1 SIZE A4 SHEET 1 OF 1

REV. F WC-REV. A.5 Ⓞ: Inspection item

TITLE
 N SEN, M12 A, SCREW RECEPTACLE, M, M, SOLDER △F

Amphenol LTW
 安費諾亮泰企業股份有限公司

ITEM NO.	DRAWN BY	DATE
	Yulong_Wang	2016-08-06
DWG NO.	CHECKED BY	DATE
△D M12A-XXPMMS-SH8002	Jinhai	2016-08-06
CUSTOMER	APPROVED BY	DATE
ALTW	Jerry	2016-08-06