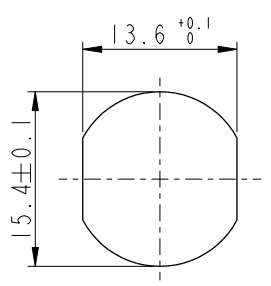
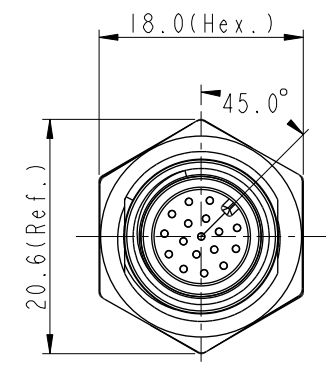
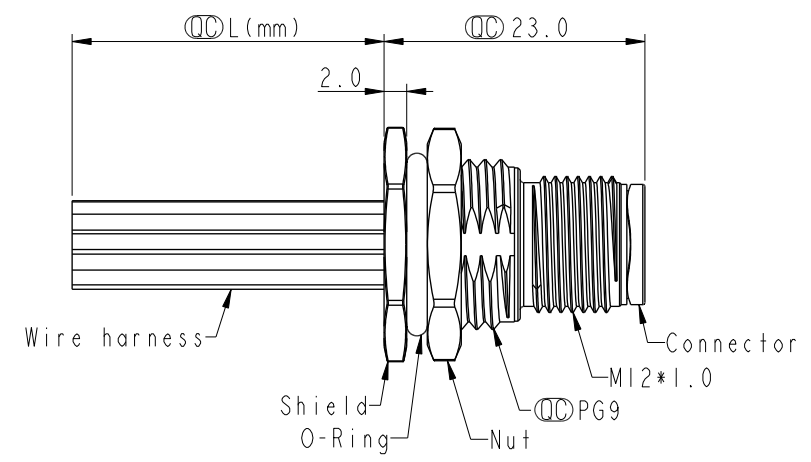
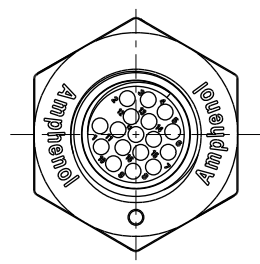


THIS DOCUMENT IS SUBJECT TO CHANGE WITHOUT NOTICE. IT IS CONFIDENTIAL AND A PROPERTY OF Amphenol LTW. DISCLOSURE TO THIRD PARTY HAS TO BE AUTHORIZED BY Amphenol LTW.

| REV. | ECN NO. | DATE       | SIGN  | DESCRIPTION |
|------|---------|------------|-------|-------------|
| F    | C201472 | 2020/09/29 | Vicky | △F X6       |
| G    | C210023 | 2021/01/14 | Vicky | △G X2       |
| H    | C210239 | 2021/02/04 | Ruru  | △H X4       |



Recommended Panel Cut-Out

- Note: △C △D △F △G △H
- \* RoHS Compliant
  - \* Ⓞ Important dimension
  - \* Waterproof rate: IPX8, unmated 1m/24h  
IPX9K, unmated
  - \* Connector
    - Housing: Thermoplastic, Black
    - Pin: Copper alloy, Gold plated
  - \* Shield: Metal
  - \* Nut: Metal
  - \* O-Ring: Rubber, Black
  - \* Wire harness: UL1061
  - \* For panel thickness max: 4.5mm
  - \* O-Ring and nut are assembled on connectors
  - \* Wire harness tolerance: 100mm: ±10mm  
100mm < L ≤ 300mm: ±15mm  
300mm < L ≤ 1000mm: ±20mm  
1000mm < L ≤ 1500mm: ±50mm

|           |       |
|-----------|-------|
| UNIT: mm  |       |
| TOLERANCE |       |
| .X        | ±0.25 |
| .XX       | ±0.1  |
| .XXX      | ±0.05 |
| ANGLES    | ±1°   |

|   |                |                    |  |
|---|----------------|--------------------|--|
| TITLE<br>N SEN, M12 A, SCREW RECEPTACLE, M, M, FI/PANEL CRIMP |                |                    |  |
| SCALE<br>1:1  | SIZE<br>A4     | SHEET<br>1 OF 2    |  |
| REV.<br>H   | WC-REV.<br>A.5 | Ⓞ: Inspection item |  |

**Amphenol LTW**  
安費諾亮泰企業股份有限公司

|                                |                    |                    |
|--------------------------------|--------------------|--------------------|
| ITEM NO.                       | DRAWN BY<br>Ruru   | DATE<br>2019-09-19 |
| DWG NO.<br>△M12A-XXPMMC-SF8BXX | CHECKED BY<br>Rita | DATE<br>2019-09-19 |
| CUSTOMER<br>ALTW               | APPROVED BY<br>Max | DATE<br>2019-09-19 |

THIS DOCUMENT IS SUBJECT TO CHANGE WITHOUT NOTICE. IT IS CONFIDENTIAL AND A PROPERTY OF Amphenol LTW. DISCLOSURE TO THIRD PARTY HAS TO BE AUTHORIZED BY Amphenol LTW.

|          |     |          |                    |
|----------|-----|----------|--------------------|
| E        | 17P | 26       | M12A-17PMMC-SF8BXX |
|          | 5P  | 22       | M12A-05PMMC-SF8BXX |
|          | 4P  |          | M12A-04PMMC-SF8BXX |
|          | 3P  |          | M12A-03PMMC-SF8BXX |
| Contacts | AWG | Item No. |                    |



  
 M12A-XXPMMC-SF8BXX

XX: No. Of Pin


10: 100mm  
 15: 150mm  
 20: 200mm  
 }  
 95: 950mm  
 Cable Pitch Unit=50mm  
  
 A0: 1000mm  
 }  
 A5: 1500mm  
 Cable Pitch Unit=100mm  
 Wire Length (L): 150~1500 mm

|   |         |            |            |            |            |            |           |  |
|---|---------|------------|------------|------------|------------|------------|-----------|--|
| D | Pin Out | 5 --       |            | 5 --       |            | 5 Gray 灰   |           | 17 White/Gray 白/灰<br>16 Yellow/Brown 黃/棕<br>15 White/Yellow 白/黃<br>14 Brown/Green 棕/綠<br>13 White/Green 白/綠<br>12 Red/Blue 紅/藍<br>11 Gray/Pink 灰/粉<br>10 Violet 紫<br>9 Red 紅<br>8 Gray 灰<br>7 Black 黑<br>6 Yellow 黃<br>5 Pink 粉<br>4 Green 綠<br>3 White 白<br>2 Blue 藍<br>1 Brown 棕 |
|   |         | 4 Black 黑  | 4 Black 黑  | 4 Black 黑  | 4 Black 黑  | 4 Green 綠  |           |  |
| C | Conn.   | 3 Blue 藍   | 3 Blue 藍   | 3 Blue 藍   | 3 Blue 藍   | 3 White 白  | 3 White 白 |  |
|   |         | 2 --       | 2 White 白  | 2 White 白  | 2 White 白  | 2 Blue 藍   |           |  |
| B | Conn.   | 1 Brown 棕  | 1 Brown 棕  | 1 Brown 棕  | 1 Brown 棕  | 1 Brown 棕  | 1 Brown 棕 |  |
|   |         | Pin # Wire | Pin # Wire | Pin # Wire | Pin # Wire | Pin # Wire |           |  |

Pin Assignments Front View

|   |   |  |   |
|---|---|--|---|
| UNIT: mm  |  | TITLE<br>N SEN, M12 A, SCREW<br>RECEPTACLE, M, M, FI/PANEL CRIMP |  |
| TOLERANCE<br>.X ±0.25<br>.XX ±0.1<br>.XXX ±0.05<br>ANGLES ±1° | SCALE 1:1   | SIZE A4  | SHEET 2 OF 2  |
|   | REV. H  | WC-REV. A.5  | QC: Inspection item   |

**Amphenol LTW**  
 安費諾亮泰企業股份有限公司

|  |             |            |
|--|-------------|------------|
| ITEM NO  | DRAWN BY    | DATE       |
|  | Ruru        | 2019-09-19 |
| DWG NO   | CHECKED BY  | DATE       |
|  M12A-XXPMMC-SF8BXX | Rita        | 2019-09-19 |
| CUSTOMER   | APPROVED BY | DATE       |
| ALTW   | Max         | 2019-09-19 |