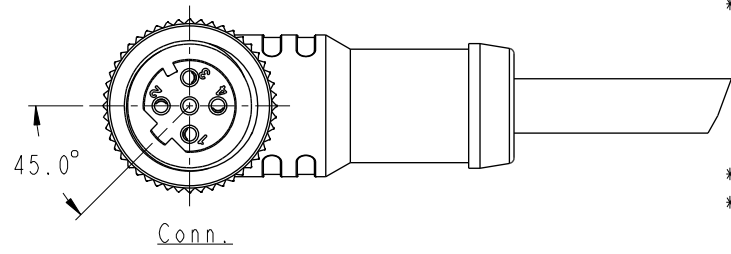
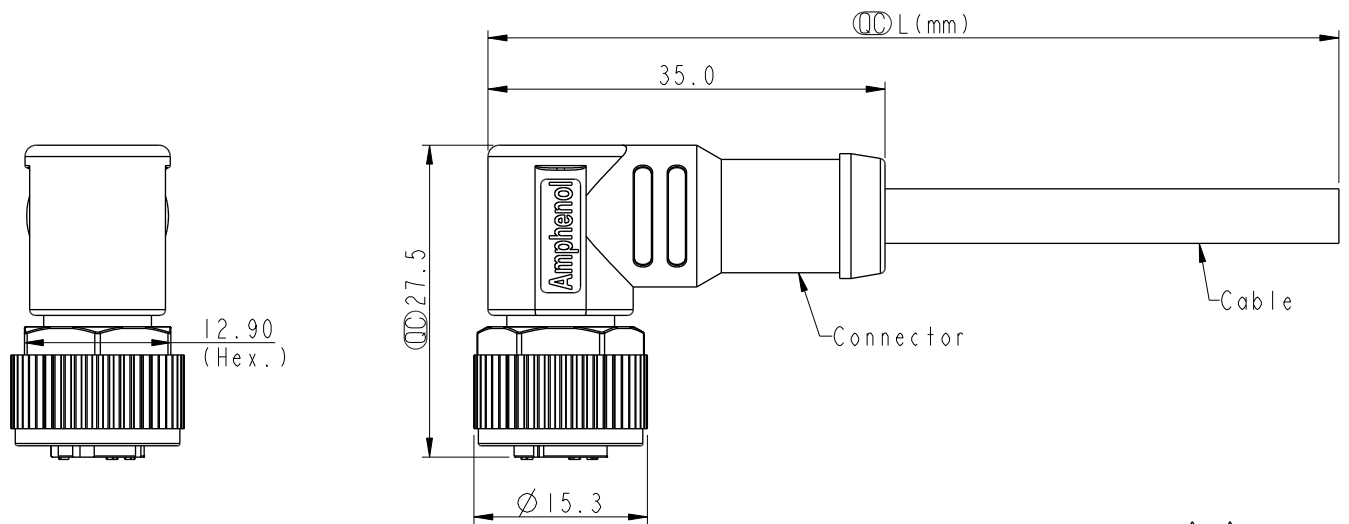


THIS DOCUMENT IS SUBJECT TO CHANGE WITHOUT NOTICE. IT IS CONFIDENTIAL AND A PROPERTY OF Amphenol LTW. DISCLOSURE TO THIRD PARTY HAS TO BE AUTHORIZED BY Amphenol LTW.

REV.	ECN NO.	DATE	SIGN	DESCRIPTION
B	LEN16A0085-087	2016/10/14	Yulong_wang	Add 3, 5Pin, IP69K & Cat5e Cable.
C	C201578	2020/10/16	Ruru	$\triangle C$ X6
D	C210542	2021/04/07	Ruru	$\triangle D$ X3



- Note: $\triangle C$ $\triangle D$
- * RoHS Compliant
 - * \varnothing Important dimension
 - * Waterproof rate: IPX8, mated 1m/24h
IPX9K, mated
 - * Connector
 - Housing: Thermoplastic, Black
 - Pin: Copper alloy, Gold plated
 - O-Ring: Rubber, Green
 - Nut: Metal
 - Outer mold: Thermoplastic, Black
 - * Cable: UL20549, PUR Jacket, Black
 - * Cable length tolerance: 1M: +50/-0 mm
1M < L ≤ 3M: +100/-0 mm
3M < L ≤ 5M: +150/-0 mm
5M < L ≤ 10M: ±100 mm
10M < L ≤ 20M: ±200 mm
20M < L ≤ 30M: ±300 mm
30M < L ≤ 99M: ±500 mm

UNIT: mm
TOLERANCE
±0.5mm

TITLE N SEN, M12 D, SCREW CABLE W/O SR, F, F, MOLDING $\triangle D$			
SCALE 3:2	SIZE A4	SHEET 1 OF 2	
REV. D	WC-REV. A.3	\varnothing : Inspection item	

Amphenol LTW
安費諾亮泰企業股份有限公司

ITEM NO.	DRAWN BY Yulong_wang	DATE 2016-10-14
DWG NO. \triangle M12D-XXBFFM-SR8BXX	CHECKED BY Jinhai	DATE 2016-10-14
CUSTOMER ALTW	APPROVED BY Jerry	DATE 2016-10-14

THIS DOCUMENT IS SUBJECT TO CHANGE WITHOUT NOTICE. IT IS CONFIDENTIAL AND A PROPERTY OF Amphenol LTW. DISCLOSURE TO THIRD PARTY HAS TO BE AUTHORIZED BY Amphenol LTW.

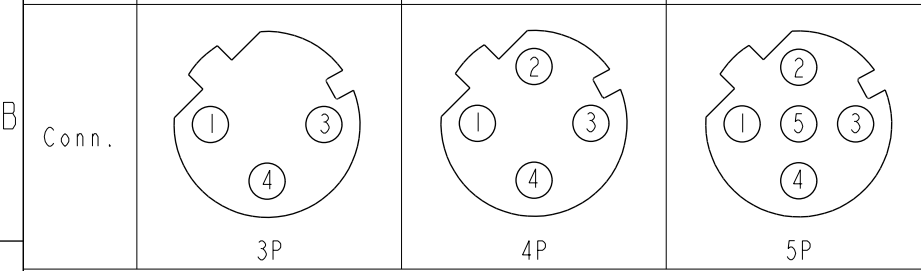
△ B △ C	5P	4.4	22	M12D-05BFFM-SR8BXX
	4P	4.0		M12D-04BFFM-SR8BXX
	3P	3.8		M12D-03BFFM-SR8BXX
Contacts	Cable OD	AWG	Item No.	

△
B
△
C
M12D-XXBFFM-SR8BXX

XX: No. Of Pin

XX: 01~99Meters
 01: 01Meter
 02: 02Meters
 ...
 99: 99Meters

C	Pin Out	5 --	5 --	5 Gray	灰
		4 Black	4 Black	4 Black	黑
		3 Blue	3 Blue	3 Blue	藍
		2 --	2 White	2 White	白
		1 Brown	1 Brown	1 Brown	棕
		Pin # Wire	Pin # Wire	Pin # Wire	



Pin Assignments Front View

A	UNIT:mm	TITLE N SEN, M12 D, SCREW CABLE W/O SR, F, F, MOLDING △	
	TOLERANCE ±0.5mm	SCALE 3:2	SIZE A4
		REV. D	WC-REV. A.3
		SHEET 2	OF 2
		◎: Inspection item	

Amphenol LTW
安費諾亮泰企業股份有限公司

ITEM NO	DRAWN BY Yulong_wang	DATE 2016-10-14
DWG NO M12D-XXBFFM-SR8BXX	CHECKED BY Jinhai	DATE 2016-10-14
CUSTOMER ALTW	APPROVED BY Jerry	DATE 2016-10-14