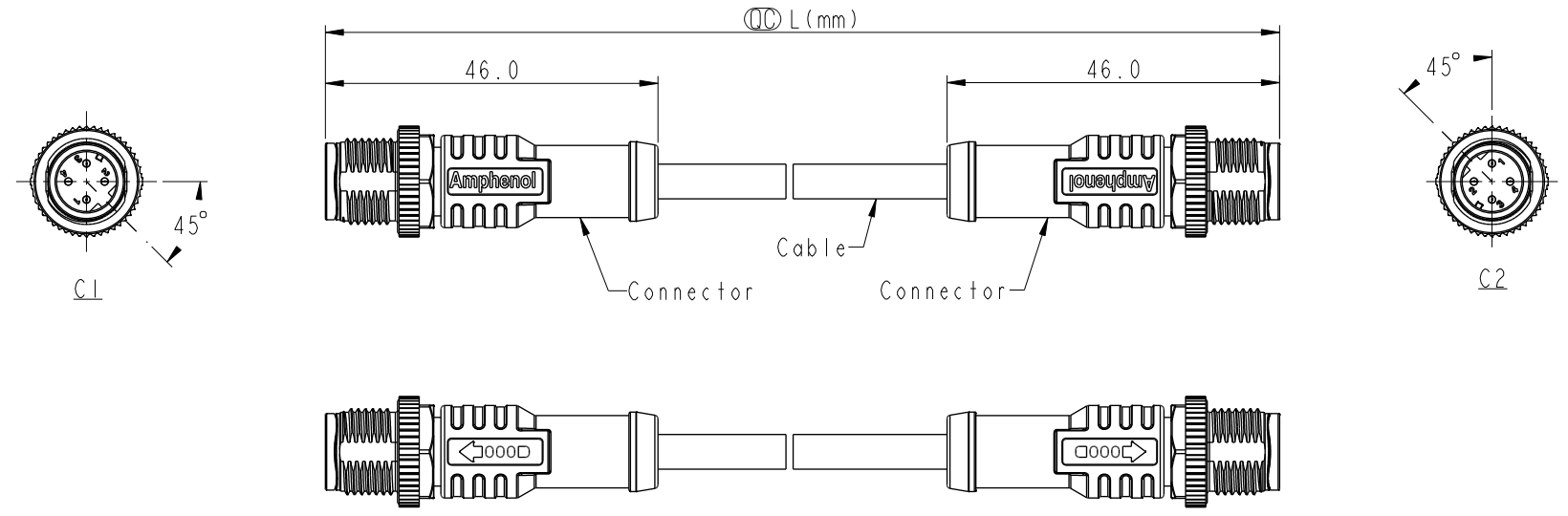


THIS DOCUMENT IS SUBJECT TO CHANGE WITHOUT NOTICE. IT IS CONFIDENTIAL AND A PROPERTY OF Amphenol LTW. DISCLOSURE TO THIRD PARTY HAS TO BE AUTHORIZED BY Amphenol LTW.

REV.	ECN NO.	DATE	SIGN	DESCRIPTION
B	C201809	2020/11/20	Vicky	△B X3
C	C210025	2021/01/19	Vicky	△C X1
D	C210497	2021/03/30	Ruru	△D X2



Pin Out	5 --		
	4 Black	黑	
	3 Blue	藍	
	2 White	白	
	1 Brown	棕	
	Pin #	Wire	
C1 & C2			
	4P		

△B MI2DXXML-12DML-SDXXX
 XX: No. Of Pin
 XXX: 0.5~99Meters
 A05: 0.5 Meter
 001: 1 Meter
 002: 2 Meters
 :
 099: 99 Meters

Note: △B △C △D
 * RoHS Compliant
 * Ⓞ Important dimension
 * Waterproof rate: IPX8, mated 1m/24h
 IPX9K, mated
 * Connector:
 Housing: Thermoplastic, Black
 Pin: Copper alloy, Gold plated
 Nut: Metal
 Outer mold: Thermoplastic, Black
 * Cable: UL2517, 22#*4C, OD=4.8mm, PVC Jacket, Black
 * Cable length tolerance: 0.5M < L ≤ 1M: +60/-0 mm
 1M < L ≤ 3M: +120/-0 mm
 3M < L ≤ 5M: +160/-0 mm
 5M < L ≤ 10M: ±100 mm
 10M < L ≤ 20M: ±200 mm
 20M < L ≤ 30M: ±300 mm
 30M < L ≤ 99M: ±500 mm

A	UNIT:mm		TITLE	ACC, SEN, D Code, DB-ENDED MM		ITEM NO	DRAWN BY	DATE
	TOLERANCE	±0.5 mm	SCALE	1:2	SIZE	A4	CHECKED BY	DATE
			REV.	D	WC-REV.	A.5	APPROVED BY	DATE
					Ⓞ: Inspection item	CUSTOMER	ALTW	2018-12-11
							Max	2018-12-11
								2018-12-11

Amphenol LTW
 安費諾亮泰企業股份有限公司